

700G Wafer

704G Full lugged

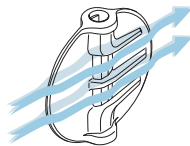
705G Semi lugged



Features and Benefits

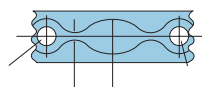
Rib disc

The 316 stainless steel (JIS SCS14) rib disc comes standard from 50mm to 300mm. Thin profile disc reinforced by ribs (patent pending) provides larger Cv compared to our conventional design. It also reduces weight while maintaining mechanical strength. A flat face disc is also available on request.



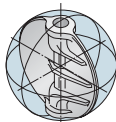
Patented cosine curve seat ring

The cosine curve seat ring reduces valve operating torque substantially and allows the torque to be adjusted according to the working pressure.



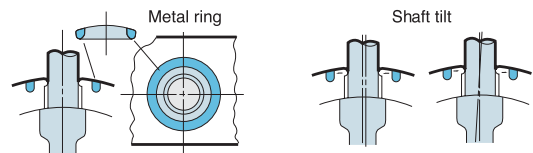
Much longer life with spherical design

Similar to a spherical body rotating inside a spherical area, the operation of the disc is smooth and unhindered. Torque is reduced and the valve life is lengthened by 300%.



Self-aligning stem seal through backup ring

The stem seal is the primary and secondary seal system. The backup ring functions as the self-aligning stem seal.



Long bonnet

The long neck shape allows insulation of up to 50mm after the valve is installed. 701G: Nylon coated body is also available (50 to 300mm). Please contact us for more information.

Two aligning methods (350 to 600mm)

Two valve models are available: the casted hole type (700G) and the tapped and drilled hole type (705G). They accommodate all the applicable flange standards.

Discs and seats come in various materials to meet a wide range of needs. These are the ultimate general purpose valves and they provide excellent cost performance.

General Description

Handling, durability and longevity are the basic aspects by which valve performance can be improved. TOMOE have now developed the 700G series, a superior, pressure-proof, general purpose valve, with the addition of a wide range of features to offer improved performance and better cost efficiency.

The 700G series is designed to satisfy many international flange standards for use worldwide.

Structure

The body is available in various designs such as wafer, semi-lugged and full-lugged, with various materials such as ductile iron, carbon steel, etc. The disc is also available with high-grade stainless steel, type 316, nylon coating, aluminium, bronze or PPS. The patented cosine-curve structure is adopted for the seat ring. The 700G series is superior to conventional models in all respects.

Standard Specifications

Model		700G (Wafer)		704G (Fully lugged)		705G (Semi lugged)			
Valve nominal size		40 to 300mm	350 to 500mm	600mm	50 to 300mm	350 to 600mm	50 to 300mm	350 to 600mm	
Applicable flange standard		JIS 5K/10K ANSI 125lb/150 lb DIN NP10, NP16 BS 4504 PN10, PN16, BS 10 'E'	JIS 5K/10K	JIS 5K, ANSI 125 lb/150 lb, DIN NP10, BS4504 PN10, (excluding JIS 10K)	JIS 5K/10K, ANSI 125lb/150lb, DIN NP10, NP16, BS 4504 PN10/PN16		JIS 5K/10K, ANSI 125lb/150lb, DIN NP10, NP16, BS 4504 PN10, PN16, BS10 'E'	JIS 5K/10K, ANSI 125lb/150lb, DIN NP10, BS 4504 PN10, PN16, BS10 'E'	
Face-to-face dimensions		API 609 / ISO 5752 (20 series)							
Max. working pressure		1.0 MPa							
Body shell test (hydraulic)		1.5 MPa							
Seat leak test (pneumatic) ※1		1.1 MPa							
Working temperature range ※2,※3		NBR : -10 to 80 degrees C, *EPDM : -20 to 120 degrees C							
Working temperature in continuous use ※4		NBR : 0 to 60 degrees C, *EPDM : 0 to 100 degrees C							
Standard materials	Body ※5	Ductile iron, JIS FCD450	Cast iron, JIS FC 250	Ductile iron, JIS FCD450	Ductile iron, JIS FCD 450	Cast iron, JIS FC250, Ductile iron, JIS FCD450			
	Disc	316 stainless steel, JIS SCS14 ※6	304 stainless steel, JIS SCS13 316 stainless steel, JIS SCS14	316 stainless steel, JIS SCS14 ※6	304 stainless steel, JIS SCS 13, 316 stainless steel, JIS SCS14	316 stainless steel, JIS SCS 14 ※6	304 stainless steel, JIS SCS 13, 316 stainless steel, JIS SCS 14		
		PPS (50 to 200mm) Aluminium bronze JIS CAC702 (50 to 600mm)	Aluminium bronze JIS CAC702	PPS (50 to 200mm) Aluminium bronze JIS CAC702 (50 to 600mm)	Aluminium bronze JIS CAC702	PPS (50 to 200mm) Aluminium bronze JIS CAC702 (50 to 600mm)	Aluminium bronze JIS CAC702		
		Nylon coating ※7	Ductile iron, JIS FCD 450 with hard chrome plating	Nylon coating ※7	Ductile iron, JIS FCD 450 with hard chrome plating	Nylon coating ※7	Ductile iron, JIS FCD450 with hard chrome plating		
	Stem	SUS420J2 / SUS 392 J1							
Seat ring ※8	NBR, *EPDM ※8								
Actuators	Lock lever	40 to 200mm	-	50 to 200mm	-	50 to 200mm	-		
	Worm gear	40 to 300mm	350 to 600mm	50 to 300mm	350 to 600mm	50 to 300mm	350 to 600mm		
	Centre handle	40 to 300mm	-	50 to 300mm	-	50 to 300mm	-		
	Pneumatic	40 to 300mm	350 to 600mm	50 to 300mm	350 to 600mm	50 to 300mm	350 to 600mm		
	Motorised	40 to 300mm	350 to 600mm	50 to 300mm	350 to 600mm	50 to 300mm	350 to 600mm		
Coating ※9	Epoxy primer finish (Munsell N7)								

※1 16bar finish is also available subject to working conditions.

※2 Working temperature range varies depending on combination of disc materials and seating. Please consult us.

※3 Please consult us when using NBR and EPDM seating continuously above 60 degrees C and 100 degrees C respectively.

※4 "Working temperature in continuous use" stands for the temperature continuously kept exceeding one hour.

※5 Cast steel body or stainless steel body is also available.

※6 Rib disc: standard. Flat face disc: optional.

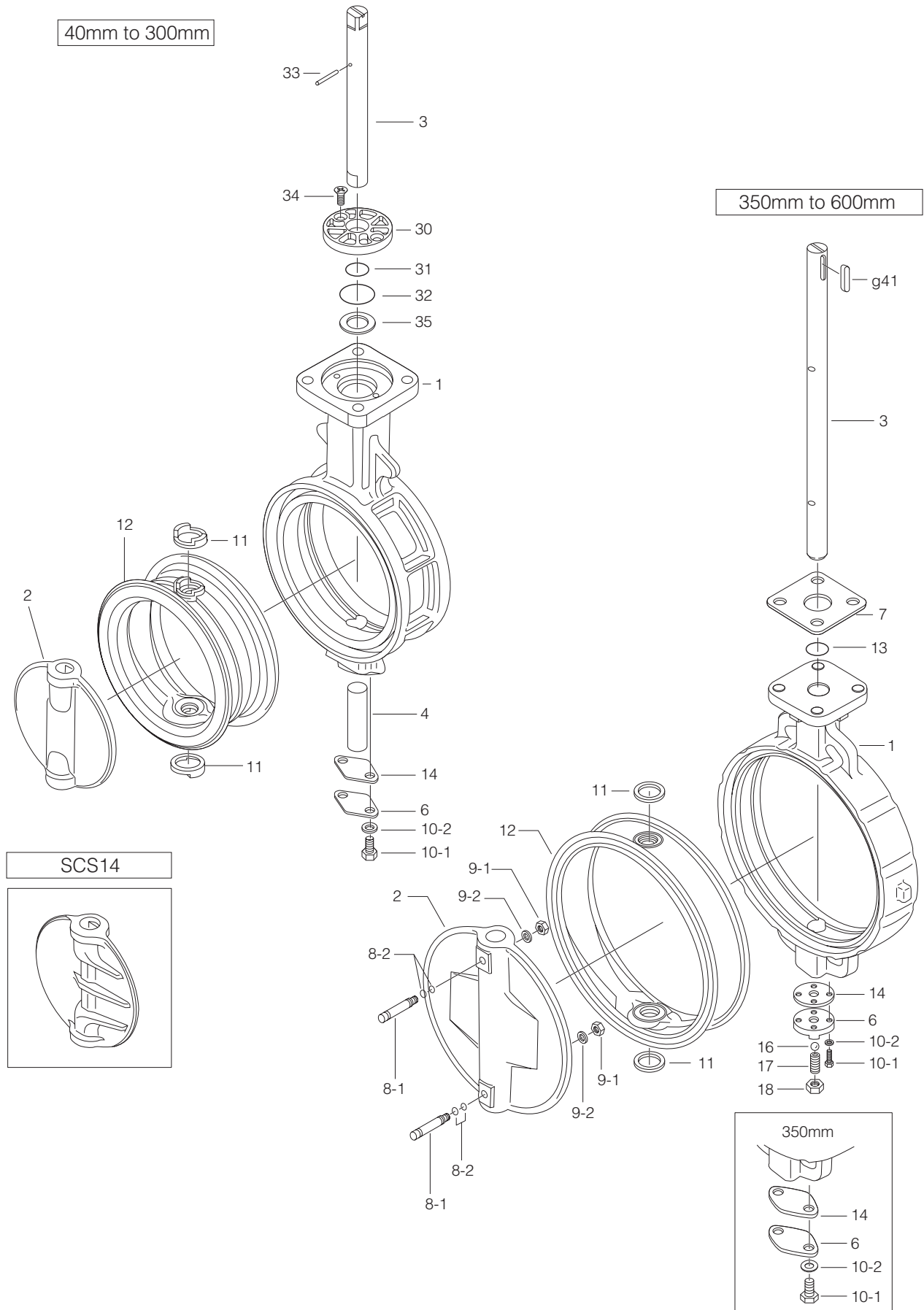
※7 Nylon coated disc is available from 40A to 300A. Maximum working temperature of nylon coated disc is 60 degrees C.

※8 Heat resistant EPDM (to 150 degrees C), FPM, SEP, CR and white-NBR seats are also available.

※9 Polyester powder backed finish (V-Pet #4000) for 700G size 40 to 300mm.

* Never use an EPDM rubber seat ring if the valve is being used for oil or for a fluid containing even a slight amount of oil.

700G Expanded view of components



700G Parts list

■700G Parts list (40mm to 300mm)

No.	Description	Q'ty	Remarks
1	Body	1	
2	Disc	1	
3	Upper stem	1	
4	Lower stem	1	See Remark 2.
6	Bottom cover	1	
10-1	Hexagon bolt	2	
10-2	Spring washer	2	
★ 11	Secondary ring	2	Only 50mm to 300mm
★ 12	Seat ring	1	
★ 14	Gasket	1	
★ 30	Bushing	1	
★ 31	O-ring	1	
★ 32	O-ring	1	
33	Spring pin	1	
34	Machine screw	2	
35	Plate	1	

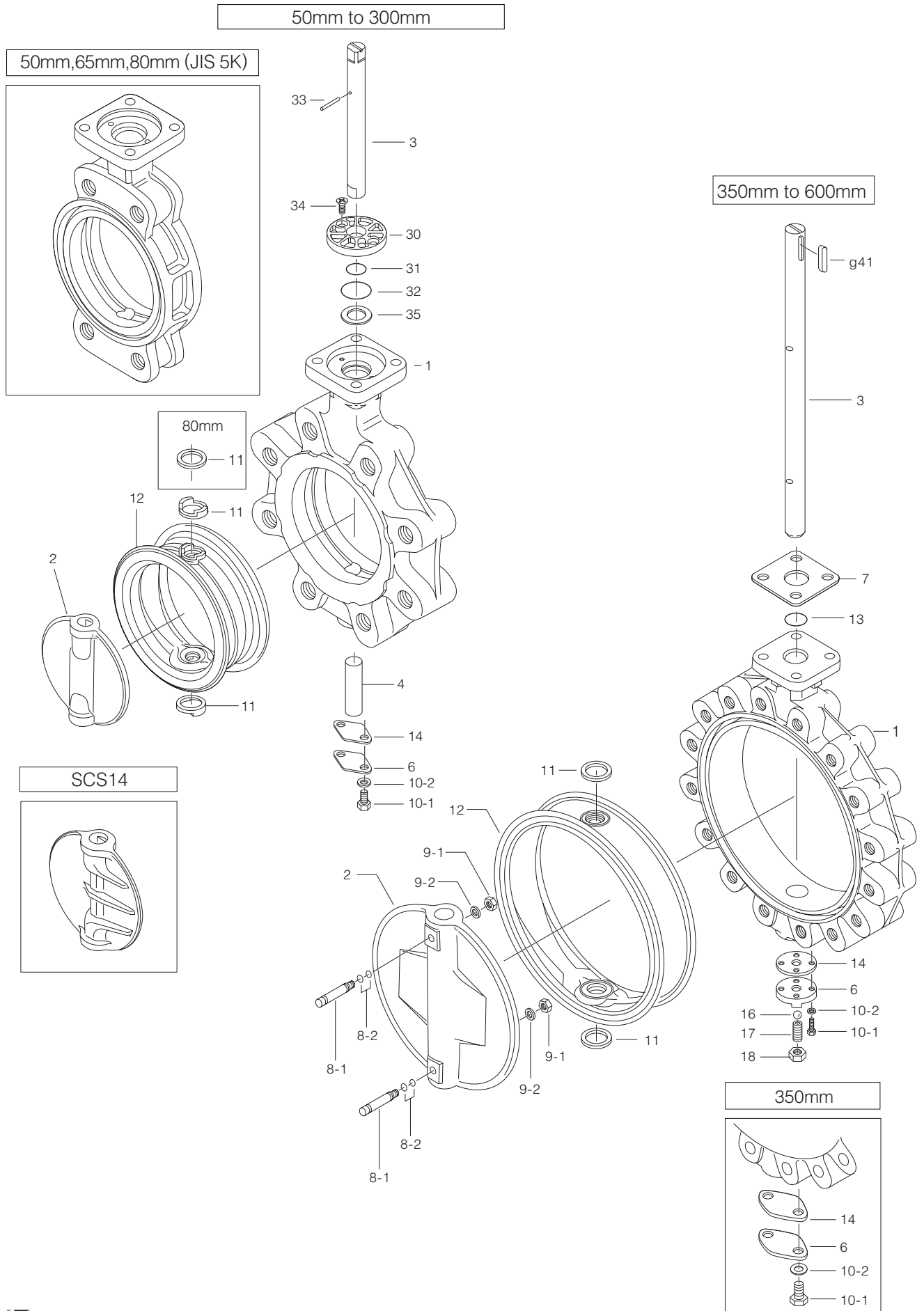
■700G Parts list (350mm to 600mm)

No.	Description	Q'ty	Remarks
1	Body	1	
2	Disc	1	
3	Stem	1	
6	Bottom cover	1	
7	Retainer plate	1	
★ 8-1	Taper bolt	2	
★ 8-2	O-ring	4	
★ 9-1	Hexagon nut	2	
★ 9-2	Spring washer	2	
10-1	Hexagon bolt	2	350mm
		4	400mm to 600mm
10-2	Spring washer	2	350mm
		4	400mm to 600mm
★ 11	Secondary ring	2	350mm
11	Secondary ring	2	400mm to 600mm
★ 12	Seat ring	1	
★ 13	O-ring	1	
★ 14	Gasket	1	
16	Ball	1	Only 400mm to 600mm
17	Hollow bolt	1	Only 400mm to 600mm
18	Lock nut	1	Only 400mm to 600mm
g41	Key	1	

Remark 1: The ★ indicates recommended spare parts. They are supplied as "Seat ring set" with a small hexagonal spanner to remove hollow bolt.

Remark 2: When the disc material is PPS, the lower stem length of types 50mm to 100mm is different from standard.

704G Expanded View of Components



704G Parts list

■ 704G Parts list (50mm to 300mm)

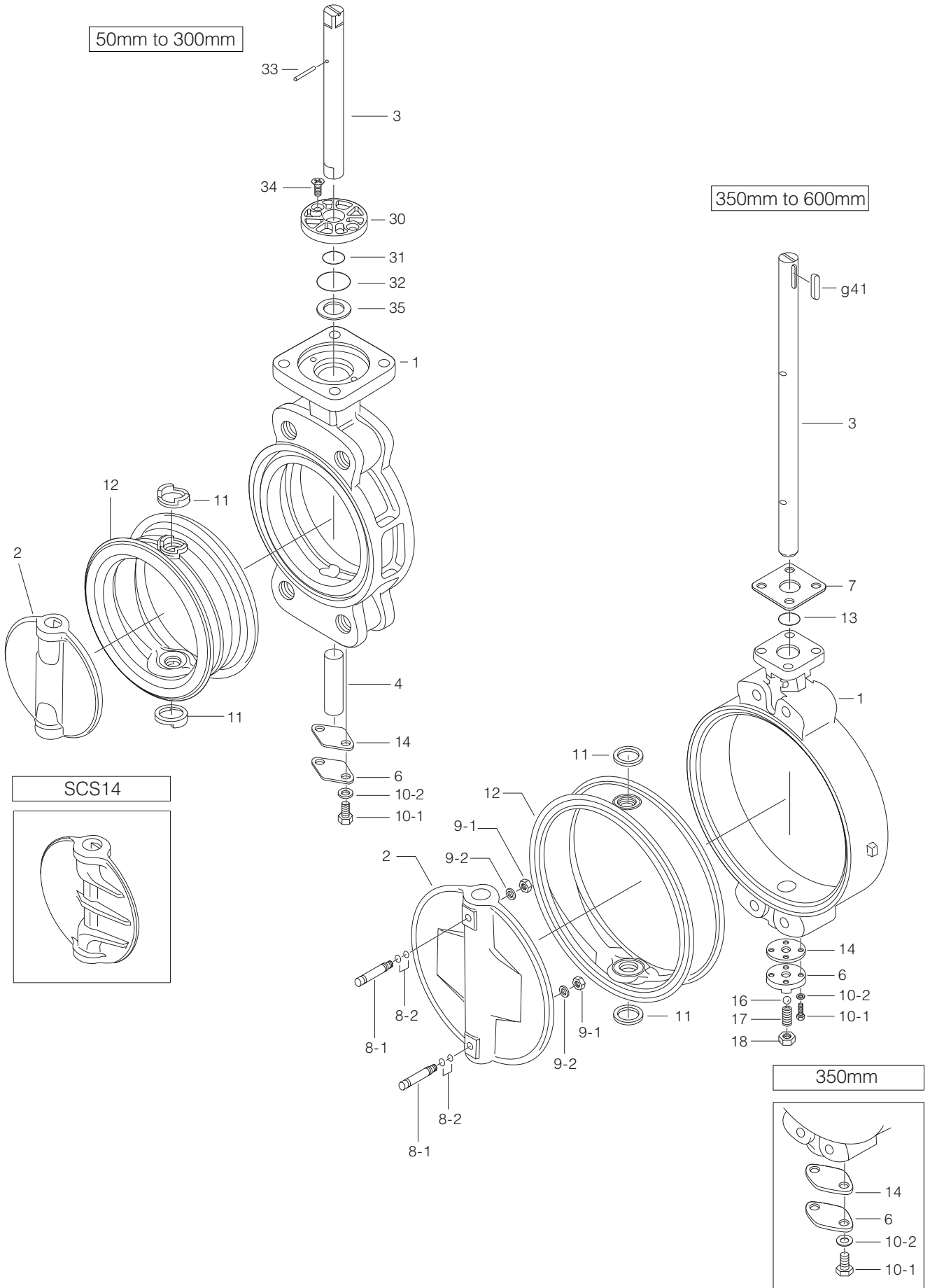
No.	Description	Q'ty	Remarks
1	Body	1	
2	Disc	1	
3	Upper stem	1	
4	Lower stem	1	See Remark 2.
6	Bottom cover	1	
10-1	Hexagon bolt	2	
10-2	Spring washer	2	
★ 11	Secondary ring	2	
★ 12	Seat ring	1	
★ 14	Gasket	1	
★ 30	Bushing	1	
★ 31	O-ring	1	
★ 32	O-ring	1	
33	Spring pin	1	
34	Machine screw	2	
35	Plate	1	

■ 704G Parts list (350mm to 600mm)

No.	Description	Q'ty	Remarks
1	Body	1	
2	Disc	1	
3	Stem	1	
6	Bottom cover	1	
7	Retainer plate	1	
★ 8-1	Taper bolt	2	
★ 8-2	O-ring	4	
★ 9-1	Hexagon nut	2	
★ 9-2	Spring washer	2	
10-1	Hexagon bolt	2	350mm
		4	400mm to 600mm
10-2	Spring washer	2	350mm
		4	400mm to 600mm
★ 11	Secondary ring	2	350mm
11	Secondary ring	2	400mm to 600mm
★ 12	Seat ring	1	
★ 13	O-ring	1	
★ 14	Gasket	1	
16	Ball	1	Only 400mm to 600mm
17	Hollow bolt	1	Only 400mm to 600mm
18	Lock nut	1	Only 400mm to 600mm
g41	Key	1	

Remark 1: The ★ indicates recommended spare parts. They are supplied as "Seat ring set" with a small hexagonal spanner to remove hollow bolt.
 Remark 2: When the disc material is PPS, the lower stem length of types 50mm to 100mm is different from standard.

705G Expanded view of components



705G Parts list

■ 705G Parts list (50mm to 300mm)

No.	Description	Q'ty	Remarks
1	Body	1	
2	Disc	1	
3	Upper stem	1	
4	Lower stem	1	See Remark 2.
6	Bottom cover	1	
10-1	Hexagon bolt	2	
10-2	Spring washer	2	
★ 11	Secondary ring	2	
★ 12	Seat ring	1	
★ 14	Gasket	1	
★ 30	Bushing	1	
★ 31	O-ring	1	
★ 32	O-ring	1	
33	Spring pin	1	
34	Machine screw	2	
35	Plate	1	

■ 705G Parts list (350mm to 600mm)

No.	Description	Q'ty	Remarks
1	Body	1	
2	Disc	1	
3	Stem	1	
6	Bottom cover	1	
7	Retainer plate	1	
★ 8-1	Taper bolt	2	
★ 8-2	O-ring	4	
★ 9-1	Hexagon nut	2	
★ 9-2	Spring washer	2	
10-1	Hexagon bolt	2	350mm
		4	400mm to 600mm
10-2	Spring washer	2	350mm
		4	400mm to 600mm
★ 11	Secondary ring	2	350mm
11	Secondary ring	2	400mm to 600mm
★ 12	Seat ring	1	
★ 13	O-ring	1	
★ 14	Gasket	1	
16	Ball	1	Only 400mm to 600mm
17	Hollow bolt	1	Only 400mm to 600mm
18	Lock nut	1	Only 400mm to 600mm
g41	Key	1	

Remark 1: The ★ indicates recommended spare parts. They are supplied as "Seat ring set" with a small hexagonal spanner to remove hollow bolt.

Remark 2: When the disc material is PPS, the lower stem length of types 50mm to 100mm is different from standard.

700G (Wafer) / 704G (Full lugged) / 705G (Semi lugged)

700G / 704G / 705G Actuator Selection Chart

700G

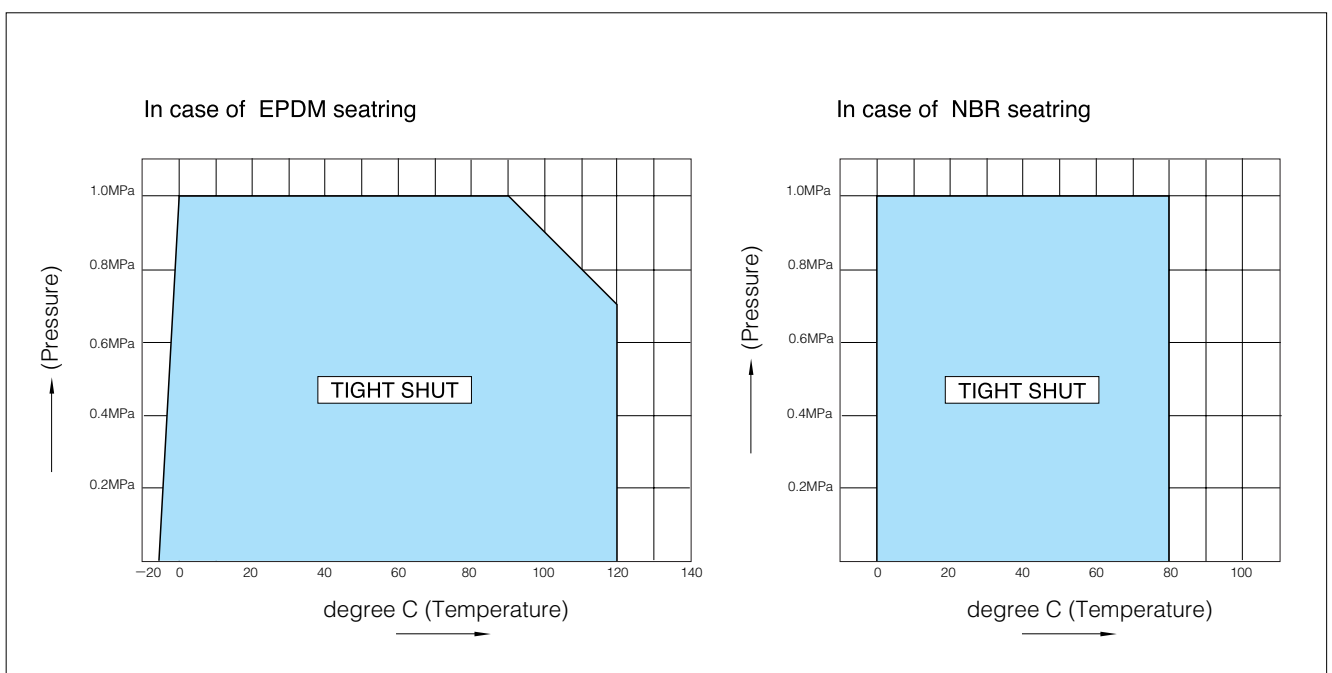
Model	Category	Size (mm/inch)														
		40	50	65	80	100	125	150	200	250	300	350	400	450	500	600
		1 1/2	2	2 1/2	3	4	5	6	8	10	12	14	16	18	20	24
1T	Standard Heavy duty	1T-1				1T-2			1T-3							
2U	Standard Heavy duty	2U-0		2U-1		2U-2		2U-3		2U-4		2U-5		2U-6		
2G,2R	Standard Heavy duty	2G-1				2G-2			2G-3		2G-4		2R-3			2R-4
3E,3A	Standard Heavy duty	K30		K70		K170			K370		K700		TGA-125	TGA-140	TGA-180	
3G,3F 3U,3K	Standard Heavy duty	K70S		K170S		K370S			K700S		TG-10S	TG-12S	TG-14S		TG-20S	
4 I	ON-OFF Control	4 I-00		4 I-0		4 I-1	4 I-2	4 I-2.5		4 I-3		4 I-4				
4J,4L	Standard Heavy duty	SRJ-010				SRJ-020			SRJ-060			LTKD-01 0.2kW /MGH-3		LTKD-01 0.4kW /MGH-3		LTKD-05 0.75kW /MGH-4

Remark: For 400mm type with the accessories below, type 4I-4 should be selected.

- Micom unit
- Servo unit
- Speed control unit
- Potentiometer

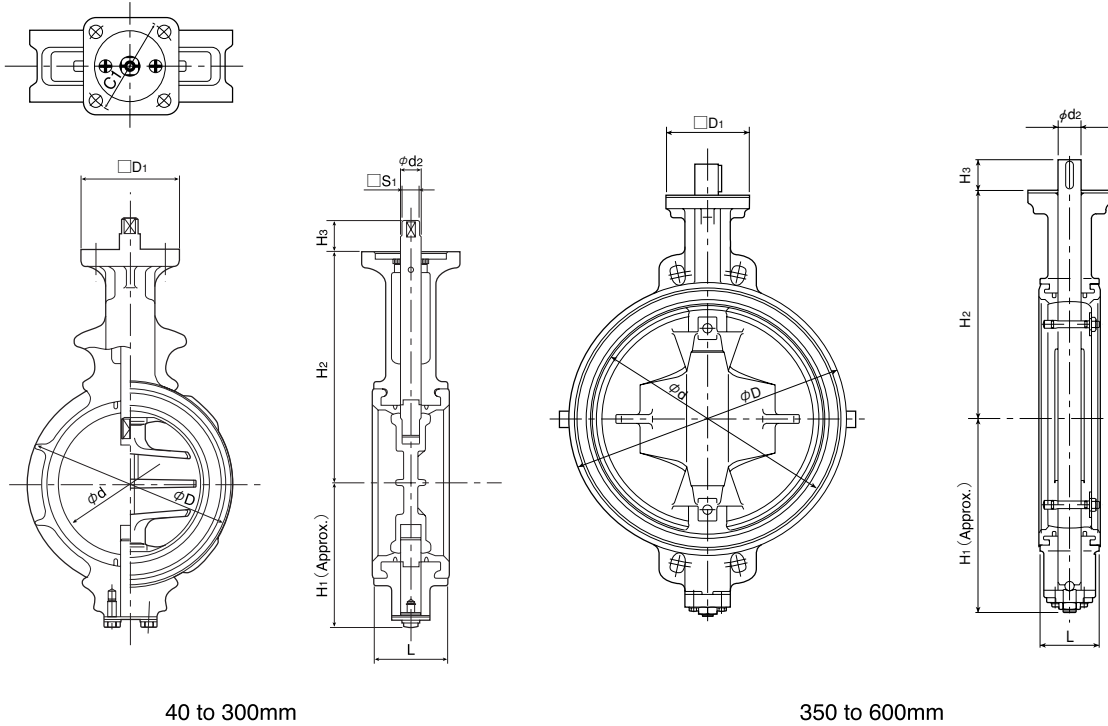
Selection criteria	Standard	Select when none of the following heavy duty items apply.
	Heavy duty	Select when any of the following items apply. ① Powder or high viscosity fluid (crude oil, etc.) ② Control specification (with positioner) ③ Emergency open valve or pipe dead end valve

700G / 704G / 705G Pressure-Temperature Rating



700G Bare shaft (01: 40mm to 300mm, 02: 350mm to 600mm)

700G (Wafer)



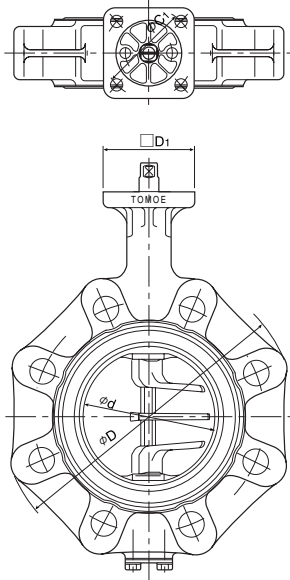
■Dimensions

Nominal size		Dimension (mm)										Approx. Mass (kg)
mm	inch	ϕd	ϕD	$\square S_1$	$\square D_1$	ϕC_1	L	ϕd_2	H ₁	H ₂	H ₃	
40	1 1/2	45	80	8	70	70	35	10	61	132	21.5	1.5
50	2	56	90	8	70	70	43	10	68	138	21.5	1.8
65	2 1/2	69	115	8	70	70	46	10	79	151	21.5	2.5
80	3	84	126	10	70	70	46	12	86	156	22.5	2.6
100	4	104	146	12	70	70	52	14	103	167	22.5	3.4
125	5	130	181	14	102	102	56	16	118	191	27.5	5.4
150	6	153.5	211	14	102	102	56	18	135	202	27.5	7
200	8	199	256	18	102	102	60	22	177	227	30	10.4
250	10	253	322	24	102	102	68	28	215	280	35	18
300	12	302	367	24	125	125	78	32	253	312	35	25
350	14	337	410	—	140	140	78	32	276	348	48	42
400	16	394	469	—	140	140	102	40	338	383	54	64
450	18	441	525	—	140	140	114	46	368	413	65	87
500	20	492	580	—	140	140	127	50	403	453	79	114
600	24	584	682	—	165	165	154	55	458	528	79	191

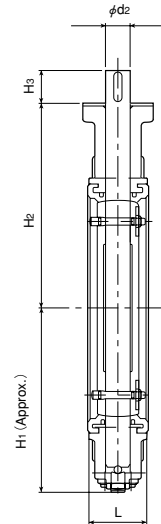
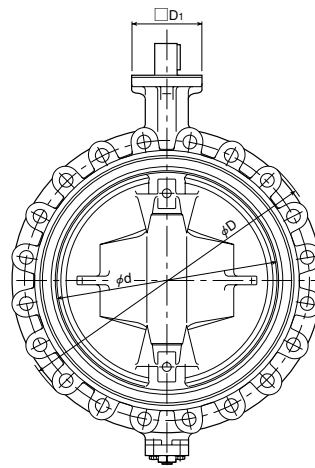
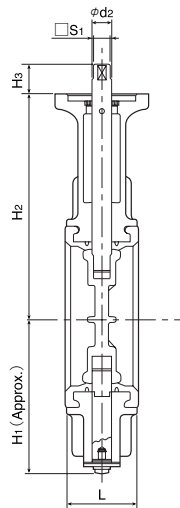
704G (Full lugged)

704G Bare shaft (01: 50mm to 300mm, 02: 350mm to 600mm)

704G (Full-lugged)



50 to 300mm



350 to 600mm

Dimensions

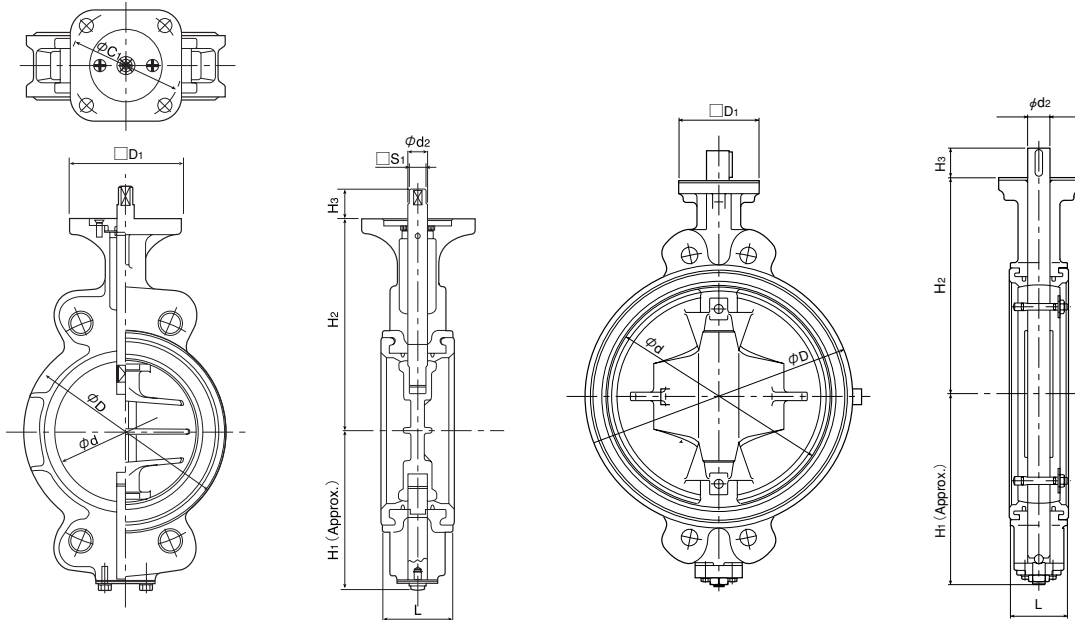
Nominal size		Dimension (mm)										Approx. Mass (kg)	
mm	inch	ϕd	ϕD	$\square S_1$	$\square D_1$	ϕC_1	L	ϕd_2	H ₁	H ₂	H ₃		
50	2	56	90	8	70	70	43	10	85	138	21.5	2.5	
65	2 1/2	69	115	8	70	70	46	10	94	151	21.5	3.5	
80	3	84	126	10	70	70	46	12	109	156	22.5	4	
*	80	3	84	190	10	70	70	46	12	109	156	22.5	4.8
	100	4	104	223	12	70	70	52	14	117	167	22.5	6.7
	125	5	130	250	14	102	102	56	16	143	191	27.5	8.8
	150	6	153.5	276	14	102	102	56	18	164	202	27.5	10.4
	200	8	199	334	18	102	102	60	22	176	227	30	16.3
	250	10	253	402	24	102	102	68	28	215	280	35	27
*	300	12	302	483 472	24	125	125	78	32	253	312	35	39
*	350	14	337	505 533	—	140	140	78	32	276	348	48	66
	400	16	394	579	—	140	140	102	40	338	383	54	107
*	450	18	441	526	—	140	140	114	46	368	413	65	128
	500	20	492	634 696	—	140	140	127	50	403	453	79	170
	600	24	584	820	—	165	165	154	55	458	528	79	275
*	600	24	584	795	—	165	165	154	55	458	528	79	269

In Case JIS10K: *

In Case JIS10K or DIN PN10: ※

705G Bare shaft (01: 50mm to 300mm, 02: 350mm to 600mm)

705G (Semi-lugged)



50 to 300mm

350 to 600mm

■Dimensions

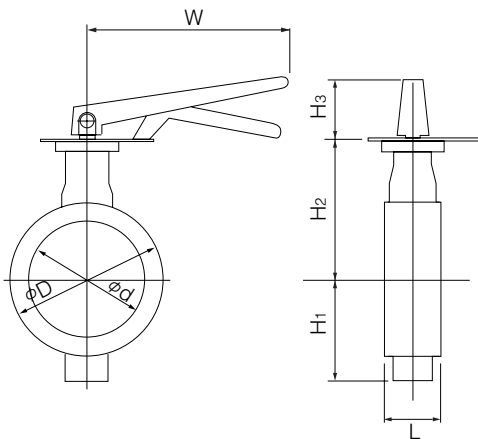
Nominal size		Dimension (mm)										Approx. Mass (kg)
mm	inch	ϕd	ϕD	$\square S_1$	$\square D_1$	ϕC_1	L	ϕd_2	H ₁	H ₂	H ₃	
50	2	56	90	8	70	70	43	10	85	138	21.5	2.5
65	2 1/2	69	115	8	70	70	46	10	94	151	21.5	3.5
80	3	84	126	10	70	70	46	12	109	156	22.5	4
100	4	104	146	12	70	70	52	14	117	167	22.5	5
125	5	130	181	14	102	102	56	16	143	191	22.5	8
150	6	153.5	211	14	102	102	56	18	164	202	27.5	11
200	8	199	256	18	102	102	60	22	186	227	30	15
250	10	253	322	24	102	102	68	28	215	280	35	24
300	12	302	367	24	125	125	78	32	253	312	35	31
350	14	337	410	—	140	140	78	32	276	348	48	47
400	16	394	469	—	140	140	102	40	338	383	54	72
450	18	441	525	—	140	140	114	46	368	413	65	96
500	20	492	580	—	140	140	127	50	403	453	79	127
600	24	584	682	—	165	165	154	55	458	528	79	191

700G (Wafer)

Lock lever type 700G-1T (40mm to 200mm)

Nominal size		Dimension (mm)							Lever type	Approx. Mass (kg)
mm	inch	ϕd	ϕD	L	H ₁	H ₂	H ₃	W		
40	1 1/2	45	80	35	61	132	66	200	1T-1	2.1
50	2	56	90	43	68	138	66	200	1T-1	2.4
65	2 1/2	69	115	46	79	151	66	200	1T-1	3.1
80	3	84	126	46	86	156	66	200	1T-1	3.2
100	4	104	146	52	103	167	66	200	1T-1	4
125	5	130	181	56	118	191	92	300	1T-2	6.7
150	6	153.5	211	56	135	202	92	300	1T-2	8.3
200	8	199	256	60	177	227	97	350	1T-3	12.1

700G-1T



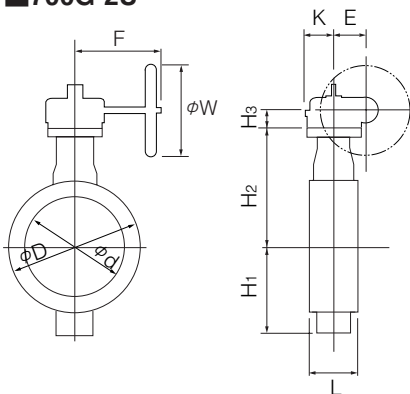
1T Installation direction

1T LS (standard)	1T LR	1T RS	1T RR
1T XS	1T XR	1T VS	1T VR

Worm gear type 700G-2U (40mm to 600mm)

Nominal size		Dimension (mm)										Gear type	Approx. Mass (kg)
mm	inch	ϕd	ϕD	L	H ₁	H ₂	H ₃	E	K	F	W		
40	1 1/2	45	80	35	61	132	29.5	36	46	160	100	2U-0	3.8
50	2	56	90	43	68	138	29.5	36	46	160	100	2U-0	4.1
65	2 1/2	69	115	46	79	151	29.5	36	46	160	100	2U-0	4.8
80	3	84	126	46	86	156	29.5	36	46	160	100	2U-1	4.9
100	4	104	146	52	103	167	29.5	36	46	160	100	2U-1	5.7
125	5	130	181	56	118	191	34.5	44	53	173.5	160	2U-2	9.6
150	6	153.5	211	56	135	202	34.5	44	53	173.5	160	2U-2	11.2
200	8	199	256	60	177	227	41.5	67	75	198	200	2U-3	18
250	10	253	322	68	215	280	41.5	67	75	198	200	2U-3	26
300	12	302	367	78	253	312	48	87.5	90	222.5	200	2U-4	39
350	14	337	410	78	276	348	48	87.5	90	222.5	280	2U-4	58
400	16	394	469	102	338	383	50	90	105	266	280	2U-5	80
450	18	441	525	114	368	413	50	90	105	266	280	2U-5	103
500	20	492	580	127	403	453	50	90	105	266	280	2U-5	130
600	24	584	682	154	458	528	61	113	140	352	400	2U-6	222

700G-2U



2U Installation direction

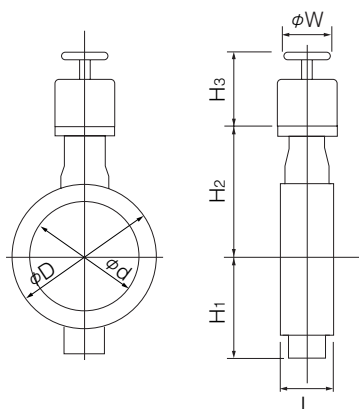
2UA (standard)	2UAR	2UB	2UBR

700G (Wafer)

Center handle type 700G-2G (40mm to 300mm) / 700G-2R (350mm to 600mm)

Nominal size		Dimension (mm)							Center handle type	Approx. Mass (kg)
mm	inch	ϕd	ϕD	L	H ₁	H ₂	H ₃	W		
40	1 1/2	45	80	35	61	132	136	100	2G-1	4.4
50	2	56	90	43	68	138	136	100	2G-1	4.7
65	2 1/2	69	115	46	79	151	136	100	2G-1	5.4
80	3	84	126	46	86	156	136	100	2G-1	5.5
100	4	104	146	52	103	167	136	100	2G-1	6.3
125	5	130	181	56	118	191	133	100	2G-2	9.2
150	6	153.5	211	56	135	202	133	100	2G-2	10.8
200	8	199	256	60	177	227	151	200	2G-3	17.5
250	10	253	322	68	215	280	151	200	2G-3	25.1
300	12	302	367	78	253	312	161	200	2G-4	32.1
350	14	337	410	78	276	348	409	355	2R-3	75
400	16	394	469	102	338	383	409	355	2R-3	97
450	18	441	525	114	368	413	409	355	2R-3	121
500	20	492	580	127	403	453	409	355	2R-3	148
600	24	584	682	154	458	528	498	450	2R-4	244

700G-2G/2R



Double-acting pneumatic cylinder type 700G-3E (40mm to 350mm)

Standard

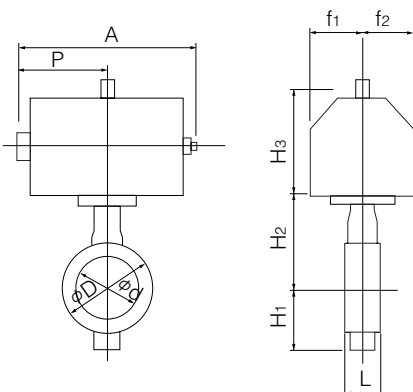
Nominal size		Dimension (mm)										Center handle type	Approx. Mass (kg)
mm	inch	ϕd	ϕD	L	H ₁	H ₂	H ₃	A	P	f ₁	f ₂		
40	1 1/2	45	80	35	61	132	113	218.5	113.5	35	50	K30	3.4
50	2	56	90	43	68	138	113	218.5	113.5	35	50	K30	3.7
65	2 1/2	69	115	46	79	151	113	218.5	113.5	35	50	K30	4.4
80	3	84	126	46	86	156	133	268	138	53	51	K70	6.5
100	4	104	146	52	103	167	133	268	138	53	51	K70	7.3
125	5	130	181	56	118	191	133	268	138	53	51	K70	9.3
150	6	153.5	211	56	135	202	157	332	171	65	58	K170	13.6
200	8	199	256	60	177	227	184	411	209	83	69	K370	22
250	10	253	322	68	215	280	184	411	209	83	69	K370	29.6
300	12	302	367	78	253	312	224	520	262	101	85	K700	46.5
350	14	337	410	78	276	348	224	520	262	101	85	K700	71.5

Heavy duty

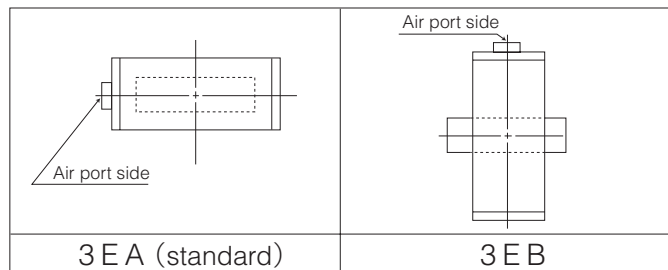
Nominal size		Dimension (mm)										Center handle type	Approx. Mass (kg)
mm	inch	ϕd	ϕD	L	H ₁	H ₂	H ₃	A	P	f ₁	f ₂		
40	1 1/2	45	80	35	61	132	113	218.5	113.5	35	50	K30	3.4
50	2	56	90	43	68	138	113	218.5	113.5	35	50	K30	3.7
65	2 1/2	69	115	46	79	151	113	218.5	113.5	35	50	K30	4.4
80	3	84	126	46	86	156	133	268	138	53	51	K70	6.5
100	4	104	146	52	103	167	157	332	171	65	58	K170	10
125	5	130	181	56	118	191	157	332	171	65	58	K170	12
150	6	153.5	211	56	135	202	157	332	171	65	58	K170	13.6
200	8	199	256	60	177	227	184	411	209	83	69	K370	22
250	10	253	322	68	215	280	184	411	209	83	69	K370	29.6
300	12	302	367	78	253	312	224	520	262	101	85	K700	46.5

Selection criteria	Standard	Select when none of the following heavy duty items apply.
	Heavy duty	Select when any of the following items apply. ① Powder or high viscosity fluid (crude oil, etc.) ② Control specification (with positioner) ③ Emergency open valve or pipe dead end valve ④ Air or Gas

700G-3E



3E Installation direction



Double-acting pneumatic cylinder type 700G-3A (350mm to 600mm)

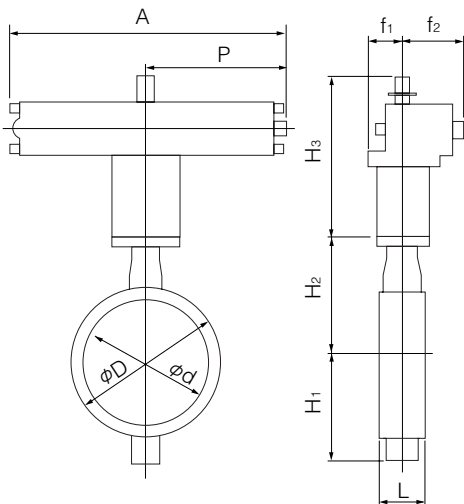
Standard

Nominal size		Dimension (mm)										Cylinder type	Approx. Mass (kg)
mm	inch	ϕd	ϕD	L	H ₁	H ₂	H ₃	A	P	f ₁	f ₂		
400	16	394	469	102	338	383	364	743	381	100	164	TGA-125	101
450	18	441	525	114	368	413	412	810	417	100	180	TGA-140	138
500	20	492	580	127	403	453	465	939	483	130	202	TGA-160	204
600	24	584	682	154	458	528	478	1053	543	218	69	TGA-180	330

Heavy duty

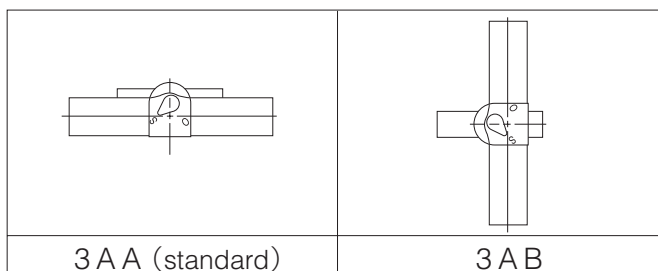
Nominal size		Dimension (mm)										Cylinder type	Approx. Mass (kg)
mm	inch	ϕd	ϕD	L	H ₁	H ₂	H ₃	A	P	f ₁	f ₂		
350	14	337	410	78	276	348	364	743	381	100	164	TGA-125	80
400	16	394	469	102	338	383	412	810	417	100	180	TGA-140	116
450	18	441	525	114	368	413	465	939	483	130	202	TGA-160	188
500	20	492	580	127	403	453	465	939	483	130	202	TGA-160	204
600	24	584	682	154	458	528	525	1163	599	160	253	TGA-200	390

700G-3A



Selection criteria	Standard	Select when none of the following heavy duty items apply.
	Heavy duty	Select when any of the following items apply. ① Powder or high viscosity fluid (crude oil, etc.) ② Control specification (with positioner) ③ Emergency open valve or pipe dead end valve ④ Air or Gas

3A Installation direction



Single-acting pneumatic cylinder type 700G-3G (Air to open: 40mm to 250mm) / 700G-3F (Air to close: 40mm to 250mm)

■ Standard

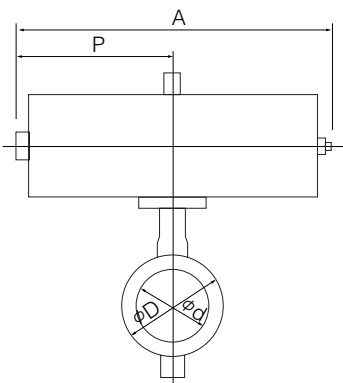
Nominal size		Dimension (mm)										Cylinder type	Approx. Mass (kg)
mm	inch	ϕd	ϕD	L	H ₁	H ₂	H ₃	A	P	f ₁	f ₂		
40	1 1/2	45	80	35	61	132	133	362	178.5	53	51	K70S	6.6
50	2	56	90	43	68	138	133	362	178.5	53	51	K70S	6.9
65	2 1/2	69	115	46	79	151	157	446	220.5	65	58	K170S	11.4
80	3	84	126	46	86	156	157	446	220.5	65	58	K170S	11.5
100	4	104	146	52	103	167	157	446	220.5	65	58	K170S	12.3
125	5	130	181	56	118	191	184	547	271	83	69	K370S	21.2
150	6	153.5	211	56	135	202	184	547	271	83	69	K370S	22.8
200	8	199	256	60	177	227	224	709	352	101	85	K700S	40.3
250	10	253	322	68	215	280	224	709	352	101	85	K700S	47.9

■ Heavy duty

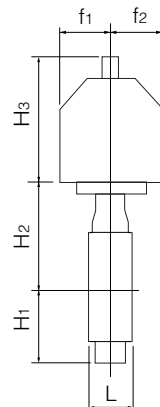
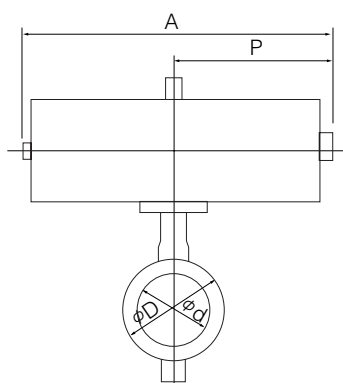
Nominal size		Dimension (mm)										Cylinder type	Approx. Mass (kg)
mm	inch	ϕd	ϕD	L	H ₁	H ₂	H ₃	A	P	f ₁	f ₂		
40	1 1/2	45	80	35	61	132	133	362	178.5	53	51	K70S	6.6
50	2	56	90	43	68	138	133	362	178.5	53	51	K70S	6.9
65	2 1/2	69	115	46	79	151	157	446	220.5	65	58	K170S	11.4
80	3	84	126	46	86	156	157	446	220.5	65	58	K170S	11.5
100	4	104	146	52	103	167	184	547	271	83	69	K370S	19.2
125	5	130	181	56	118	191	184	547	271	83	69	K370S	21.2
150	6	153.5	211	56	135	202	224	709	352	101	85	K700S	36.9

Selection criteria	Standard	Select when none of the following heavy duty items apply.
	Heavy duty	Select when any of the following items apply. ① Powder or high viscosity fluid (crude oil, etc.) ② Control specification (with positioner) ③ Emergency open valve or pipe dead end valve ④ Air or Gas

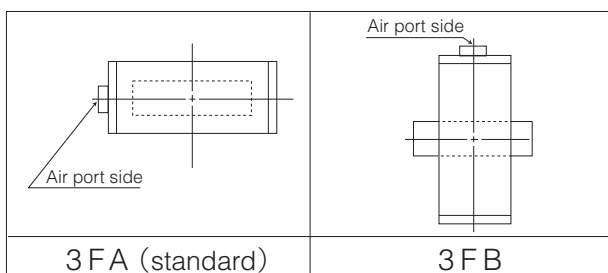
■ 700G-3F



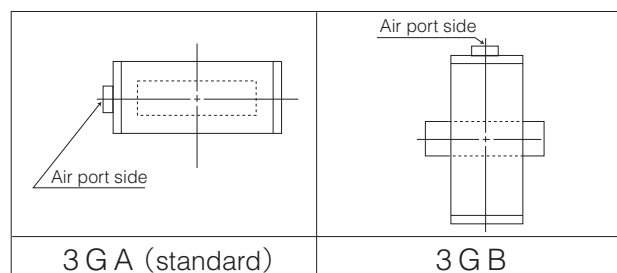
■ 700G-3G



■ 3F Installation direction



■ 3G Installation direction



700G (Wafer)

Single-acting pneumatic cylinder type 700G-3U (Air to open: 200mm to 600mm) / 700G-3K (Air to close: 200mm to 600mm)

Standard

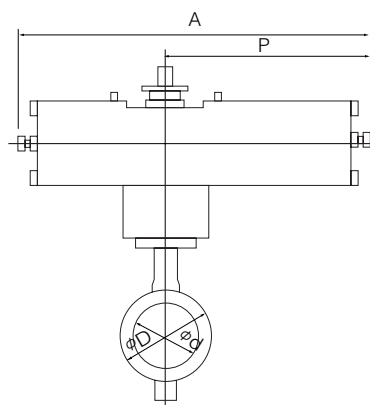
Nominal size		Dimension (mm)										Cylinder type	Approx. Mass (kg)
mm	inch	ϕd	ϕD	L	H ₁	H ₂	H ₃	A	P	f ₁	f ₂		
250	10	253	322	68	215	280	307	945	585	70	165	TG-10S	74
300	12	302	367	78	253	312	307	1080	720	94	206	TG-12S	126
350	14	337	410	78	276	348	307	1080	720	94	206	TG-12S	143
400	16	394	469	102	338	383	340	1255	865	131	257	TG-14S	262
450	18	441	525	114	368	413	340	1255	865	131	257	TG-14S	285
500	20	492	580	127	403	453	474	1655	1095	164	348	TG-20S	525
600	24	584	682	154	458	528	474	1655	1095	164	348	TG-20S	602

Heavy duty

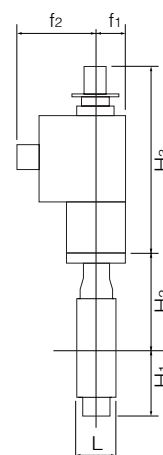
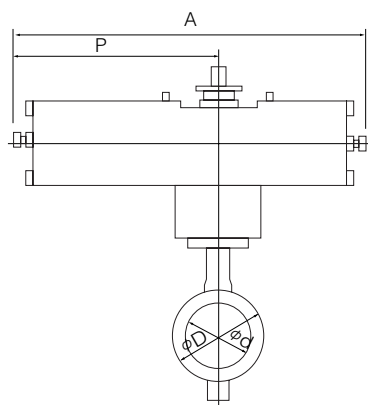
Nominal size		Dimension (mm)										Cylinder type	Approx. Mass (kg)
mm	inch	ϕd	ϕD	L	H ₁	H ₂	H ₃	A	P	f ₁	f ₂		
200	8	199	256	60	177	227	307	945	585	70	165	TG-10S	66
250	10	253	322	68	215	280	307	1080	720	94	206	TG-12S	119
300	12	302	367	78	253	312	307	1080	720	94	206	TG-12S	126
350	14	337	410	78	276	348	340	1255	865	131	257	TG-14S	239
400	16	394	469	102	338	383	340	1255	865	131	257	TG-14S	262
450	18	441	525	114	368	413	474	1655	1095	164	348	TG-20S	498
500	20	492	580	127	403	453	474	1655	1095	164	348	TG-20S	525
600	24	584	682	154	458	528	474	1655	1095	164	348	TG-20S	602

Selection criteria	Standard	Select when none of the following heavy duty items apply.
	Heavy duty	Select when any of the following items apply. ① Powder or high viscosity fluid (crude oil, etc.) ② Control specification (with positioner) ③ Emergency open valve or pipe dead end valve ④ Air or Gas

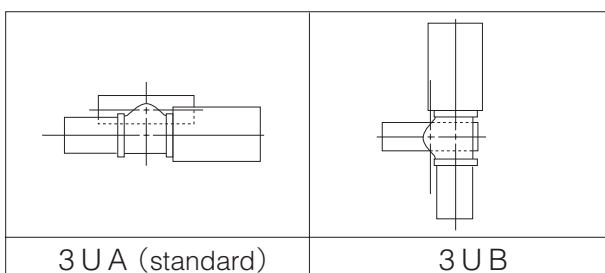
700G-3U



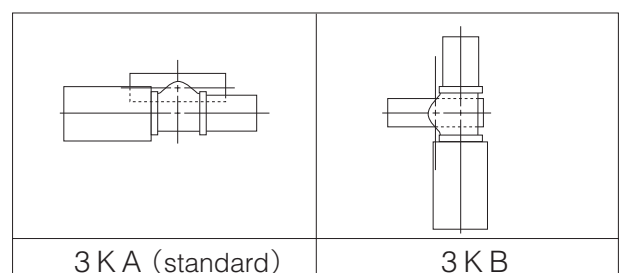
700G-3K



3U Installation direction



3K Installation direction



Single phase electric motor type 700G-4 I (40mm to 500mm)

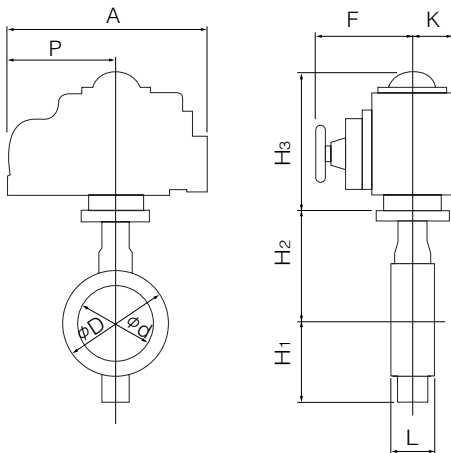
Nominal size		Dimension (mm)										Motor type	Approx. Mass (kg)
mm	inch	ϕd	ϕD	L	H ₁	H ₂	H ₃	A	P	F	K		
40	1 1/2	45	80	35	61	132	120	161	84	58	45	4 I-00	4
							150	202	100	85	54	4 I-0	5.7
50	2	56	90	43	68	138	120	161	84	58	45	4 I-00	4.3
							150	202	100	85	54	4 I-0	6
65	2 1/2	69	115	46	79	151	150	202	100	85	54	4 I-0	6.7
80	3	84	126	46	86	156	150	202	100	85	54	4 I-0	6.8
100	4	104	146	52	103	167	165	252	138	126	65	4 I-1	9.8
125	5	130	181	56	118	191	198	310	167	154	85	4 I-2	16.6
150	6	153.5	211	56	135	202	198	310	167	154	85	4 I-2	18.2
200	8	199	256	60	177	227	198	310	167	154	85	4 I-2.5	21.6
250	10	253	322	68	215	280	198	310	167	154	85	4 I-2.5	30.8
300	12	302	367	78	253	312	230	388	223	246	136	4 I-3	48.2
350	14	337	410	78	276	348	230	388	223	246	136	4 I-3	65
400	16	394	469	102	338	383	230	388	223	246	136	4 I-3	87
							255	388	223	246	136	4 I-4	93
450	18	441	525	114	368	413	230	388	223	246	136	4 I-4	116
500	20	492	580	127	403	453	230	388	223	246	136	4 I-4	143

Note 1: For nominal size 40, 50 mm type (for control), the 4I-0 type should be selected. (The 4I-00 type is only designed for ON-OFF operation.)

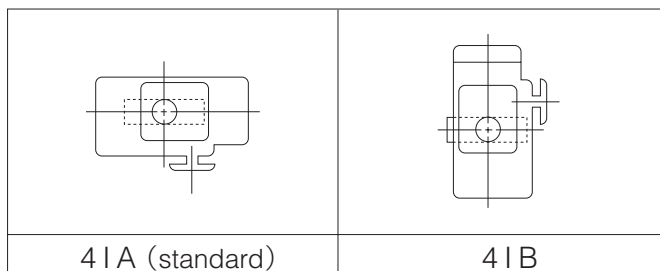
Remark: For 400mm type with the accessories below, type 4I-4 should be selected.

- Micom unit
- Servo unit
- Speed control unit
- Potentiometer

700G-4 I



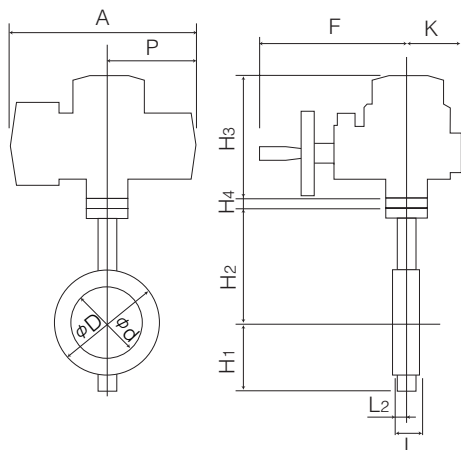
4 I Installation direction



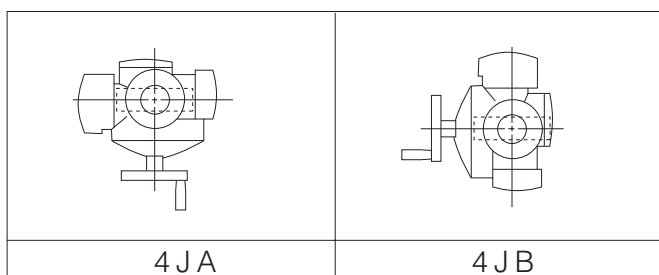
Three phase motor actuator type 700G-4J (40mm to 300mm)

Nominal size		Dimension (mm)											Motor type	Approx. Mass (kg)
mm	inch	ϕd	ϕD	L	H ₁	H ₂	H ₃	H ₄	A	P	F	K		
40	1 1/2	45	80	35	61	132	218	3.2	353	167	286	104	SRJ-010	15.2
50	2	56	90	43	68	138	218	3.2	353	167	286	104	SRJ-010	15.5
65	2 1/2	69	115	46	79	151	218	3.2	353	167	286	104	SRJ-010	16.2
80	3	84	126	46	86	156	218	3.2	353	167	286	104	SRJ-010	16.3
100	4	104	146	52	103	167	218	3.2	353	167	286	104	SRJ-010	16.9
125	5	130	181	56	118	191	218	15	353	167	286	104	SRJ-020	19.6
150	6	153.5	211	56	135	202	218	15	353	167	286	104	SRJ-020	21
200	8	199	256	60	177	227	235	3.2	393	191	330	130	SRJ-060	38
250	10	253	322	68	215	280	235	3.2	393	191	330	130	SRJ-060	50
300	12	302	367	78	253	312	235	20	393	191	330	130	SRJ-060	61

700G-4J



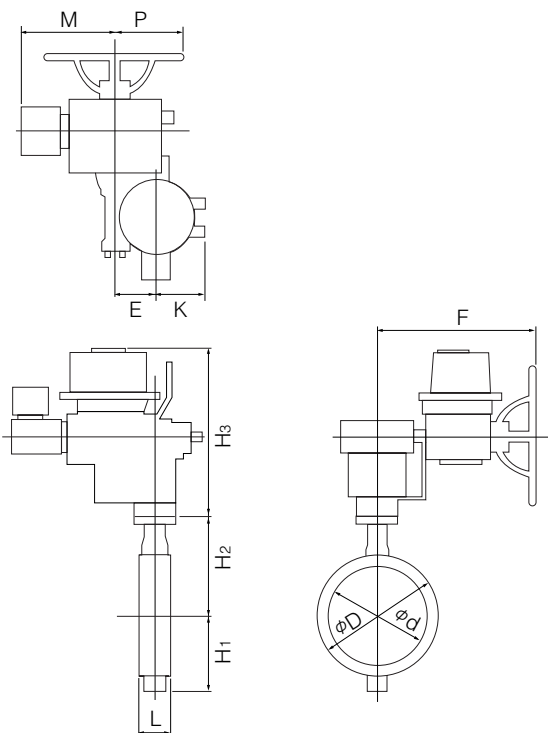
4J Installation direction



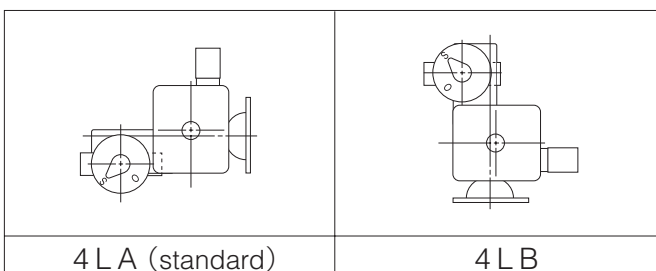
Three phase motor actuator type 700G-4L (350mm to 600mm)

Nominal size		Dimension (mm)											Motor type	Approx. Mass (kg)
mm	inch	ϕd	ϕD	L	H ₁	H ₂	H ₃	E	K	F	M	P		
350	14	337	410	78	276	348	487	117	164	533	357	230	LTKD-01 0.2kW /MGH-3	143
400	16	394	469	102	338	383	487	117	164	533	357	230	LTKD-01 0.2kW /MGH-3	165
450	18	441	525	114	368	413	487	117	164	533	370	230	LTKD-01 0.4kW /MGH-3	192
500	20	492	580	127	403	453	487	117	164	533	370	230	LTKD-01 0.4kW /MGH-3	219
600	24	584	682	154	458	528	590	140	198	637	440	375	LTKD-05 0.75kW /MGH-4	398

■700G-4L



■4L Installation direction



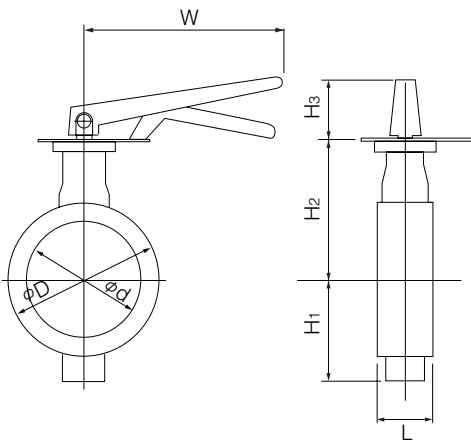
704G (Full lugged)

Lock lever type 704G-1T (50mm to 200mm)

Nominal size		Dimension (mm)								Lever type	Approx. Mass (kg)
mm	inch	ϕd	ϕD		L	H ₁	H ₂	H ₃	W		
			JIS5K	JIS10K							
50	2	56	90	90	43	85	138	66	200	1T-1	3.1
65	2 1/2	69	115	115	46	94	151	66	200	1T-1	4.1
80	3	84	126	190	46	109	156	66	200	1T-1	4.6 (5.4)
100	4	104	223	223	52	117	167	66	200	1T-1	8
125	5	130	250	250	56	143	191	92	300	1T-2	11.9
150	6	153.5	276	276	56	164	202	92	300	1T-2	15.1
200	8	199	334	329	60	186	227	97	350	1T-3	22.2 (23.7)

Remark: Value in brackets is for JIS 10K flanges.

704G-1T



1T Installation direction

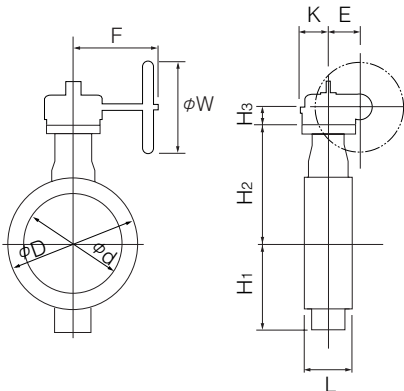
1TLS (standard)	1TLR	1TRS	1TRR
1TXS	1TXR	1TVS	1TVR

Worm gear type 704G-2U (50mm to 600mm)

Nominal size		Dimension (mm)											Gear type	Approx. Mass (kg)
mm	inch	ϕd	ϕD		L	H ₁	H ₂	H ₃	E	K	F	W		
			JIS5K	JIS10K										
50	2	56	90	90	43	85	138	29.5	36	46	160	100	2U-0	4.8
65	2 1/2	69	115	115	46	94	151	29.5	36	46	160	100	2U-0	5.8
80	3	84	126	190	46	109	156	29.5	36	46	160	100	2U-1	6.3 (7.1)
100	4	104	223	223	52	117	167	29.5	36	46	160	100	2U-1	9.7
125	5	130	250	250	56	143	191	34.5	44	53	173.5	160	2U-2	14.8
150	6	153.5	276	276	56	164	202	34.5	44	53	173.5	160	2U-2	18.8
200	8	199	334	329	60	186	227	41.5	67	75	198	200	2U-3	27 (28.5)
250	10	253	402	402	68	215	280	41.5	67	75	198	200	2U-3	40
300	12	302	472	438	78	253	312	48	87.5	90	222.5	200	2U-4	58 (56)
350	14	337	533	505	78	276	348	48	87.5	90	222.5	280	2U-4	86 (86)
400	16	394	597	597	102	338	383	50	90	105	266	280	2U-5	123
450	18	441	634	626	114	368	413	50	90	105	266	280	2U-5	148 (151)
500	20	492	696	696	127	403	453	50	90	105	266	280	2U-5	195
600	24	584	820	795	154	458	528	61	113	140	352	400	2U-6	306 (300)

Remark: Value in brackets is for JIS 10K flanges.

704G-2U



2U Installation direction

2UA (standard)	2UAR	2UB	2UBR

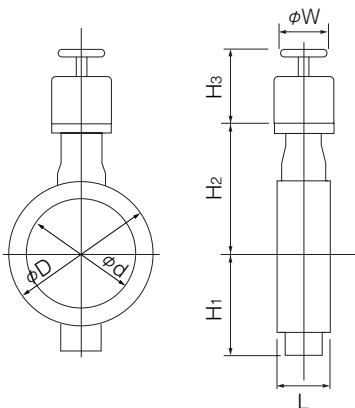
704G (Full lugged)

Center handle type 704G-2G (50mm to 300mm) / 704G-2R (350mm to 600mm)

Nominal size		Dimension (mm)								Center handle type	Approx. Mass (kg)
mm	inch	ϕd	ϕD		L	H ₁	H ₂	H ₃	W		
			JIS5K	JIS10K							
50	2	56	90	90	43	85	138	136	100	2G-1	5.4
65	2 1/2	69	115	115	46	94	151	136	100	2G-1	6.4
80	3	84	126	190	46	109	156	136	100	2G-1	6.9 (7.7)
100	4	104	223	223	52	117	167	136	100	2G-1	10.3
125	5	130	250	250	56	143	191	133	100	2G-2	14.4
150	6	153.5	276	276	56	164	202	133	100	2G-2	17.6
200	8	199	334	329	60	186	227	151	200	2G-3	26.1 (27.6)
250	10	253	402	402	68	215	280	151	200	2G-3	40
300	12	302	472	438	78	253	312	161	200	2G-4	52 (50)
350	14	337	533	505	78	276	348	409	355	2R-3	103 (103)
400	16	394	597	597	102	338	383	409	355	2R-3	140
450	18	441	634	626	114	368	413	409	355	2R-3	166 (169)
500	20	492	696	696	127	403	453	409	355	2R-3	213
600	24	584	820	795	154	458	528	498	450	2R-4	328 (322)

Remark: Value in brackets is for JIS 10K flanges.

704G-2G/2R



Double-acting pneumatic cylinder type 704G-3E (50mm to 350mm)

■ Standard

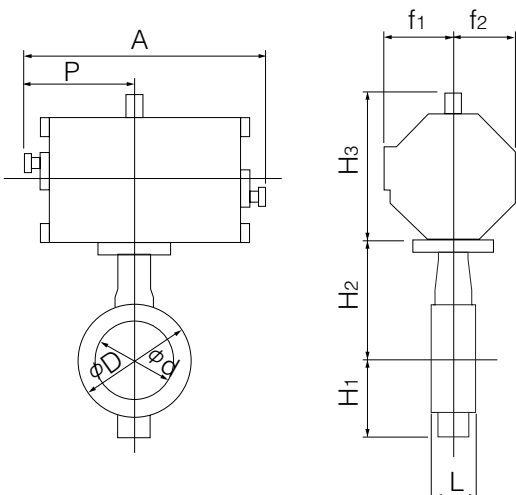
Nominal size		Dimension (mm)										Cylinder type	Approx. Mass (kg)
mm	inch	ϕd	ϕD	L	H ₁	H ₂	H ₃	A	P	f ₁	f ₂		
50	2	56	90	43	67	138	113	218.5	113.5	35	50	K30	3.7
65	2 1/2	69	115	46	78	151	113	218.5	113.5	35	50	K30	4.4
80	3	84	126	46	86	156	133	268	138	53	51	K70	6.5
100	4	104	146	52	103	167	133	268	138	53	51	K70	7.3
125	5	130	181	56	118	191	133	268	138	53	51	K70	9.3
150	6	153.5	211	56	135	202	157	332	171	65	58	K170	13.6
200	8	199	256	60	177	227	184	411	209	83	69	K370	22
250	10	253	322	68	215	280	184	411	209	83	69	K370	29.6
300	12	302	367	78	253	312	224	520	262	101	85	K700	46.5
350	14	337	410	78	276	348	224	520	262	101	85	K700	71.5

■ Heavy duty

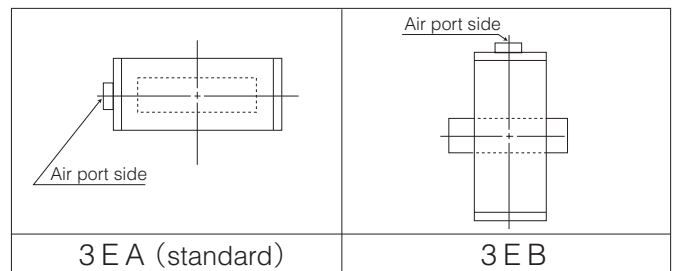
Nominal size		Dimension (mm)										Cylinder type	Approx. Mass (kg)
mm	inch	ϕd	ϕD	L	H ₁	H ₂	H ₃	A	P	f ₁	f ₂		
50	2	56	90	43	68	138	113	218.5	113.5	35	50	K30	3.7
65	2 1/2	69	115	46	79	151	113	218.5	113.5	35	50	K30	4.4
80	3	84	126	46	86	156	133	268	138	53	51	K70	6.5
100	4	104	146	52	103	167	157	332	171	65	58	K170	10
125	5	130	181	56	118	191	157	332	171	65	58	K170	12
150	6	153.5	211	56	135	202	157	332	171	65	58	K170	13.6
200	8	199	256	60	177	227	184	411	209	83	69	K370	22
250	10	253	322	68	215	280	184	411	209	83	69	K370	29.6
300	12	302	367	78	253	312	224	520	262	101	85	K700	46.5

Selection criteria	Standard	Select when none of the following heavy duty items apply.
	Heavy duty	Select when any of the following items apply. ① Powder or high viscosity fluid (crude oil, etc.) ② Control specification (with positioner) ③ Emergency open valve or pipe dead end valve ④ Air or Gas

■ 704G-3E



■ 3E Installation direction



704G (Full lugged)

Double-acting pneumatic cylinder type 704G-3A (350mm to 600mm)

Standard

Nominal size		Dimension (mm)											Cylinder type	Approx. Mass (kg)
mm	inch	ϕd	ϕD		L	H ₁	H ₂	H ₃	A	P	f ₁	f ₂		
			JIS5K	JIS10K										
400	16	394	597	597	102	338	383	364	743	381	100	164	TGA-125	153
450	18	441	634	626	114	368	413	412	810	417	100	180	TGA-140	191
500	20	492	696	696	127	403	453	465	939	483	130	202	TGA-160	269
600	24	584	820	795	154	458	528	478	1053	543	130	218	TGA-180	414 (408)

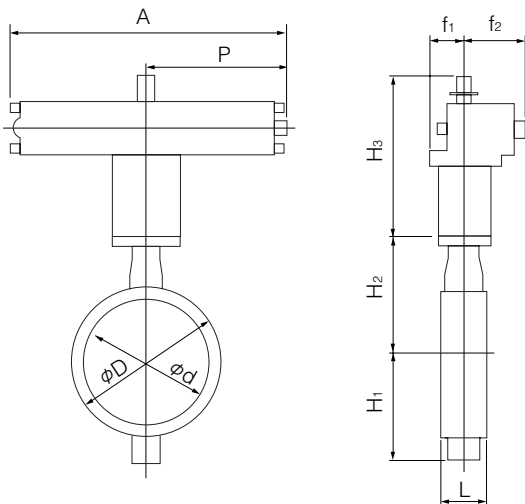
Heavy duty

Nominal size		Dimension (mm)											Cylinder type	Approx. Mass (kg)
mm	inch	ϕd	ϕD		L	H ₁	H ₂	H ₃	A	P	f ₁	f ₂		
			JIS5K	JIS10K										
350	14	337	533	505	78	276	348	364	743	381	100	164	TGA-125	109
400	16	394	597	597	102	338	383	412	810	417	100	180	TGA-140	159
450	18	441	634	626	114	368	413	465	939	483	130	202	TGA-160	233 (236)
500	20	492	696	696	127	403	453	465	939	483	130	202	TGA-160	269
600	24	584	820	795	154	458	528	525	1163	599	160	253	TGA-200	474 (468)

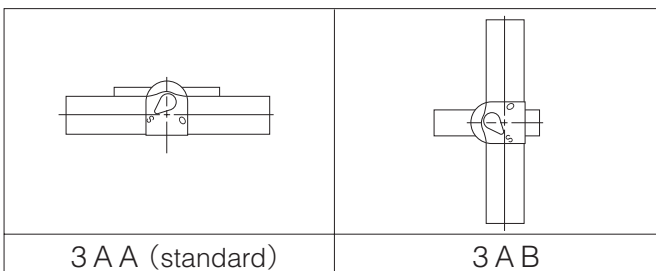
Remark: Value in brackets is for JIS 10K flanges.

Selection criteria	Standard	Select when none of the following heavy duty items apply.
	Heavy duty	Select when any of the following items apply. ① Powder or high viscosity fluid (crude oil, etc.) ② Control specification (with positioner) ③ Emergency open valve or pipe dead end valve ④ Air or Gas

704G-3A



3A Installation direction



Single-acting pneumatic cylinder type 704G-3G (Air to open: 50mm to 250mm) / 704G-3F (Air to close: 50mm to 250mm)

■ Standard

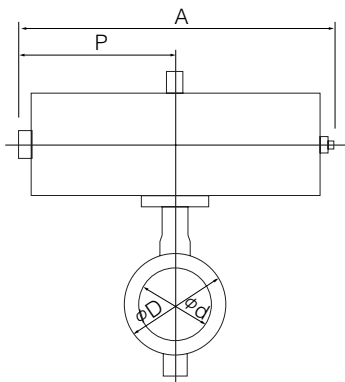
Nominal size		Dimension (mm)										Cylinder type	Approx. Mass (kg)
mm	inch	ϕd	ϕD	L	H ₁	H ₂	H ₃	A	P	f ₁	f ₂		
50	2	56	90	43	68	138	133	362	178.5	53	51	K70S	6.9
65	2 1/2	69	115	46	79	151	157	446	220.5	65	58	K170S	11.4
80	3	84	126	46	86	156	157	446	220.5	65	58	K170S	11.5
100	4	104	146	52	103	167	157	446	220.5	65	58	K170S	12.3
125	5	130	181	56	118	191	184	547	271	83	69	K370S	21.2
150	6	153.5	211	56	135	202	184	547	271	83	69	K370S	22.8
200	8	199	256	60	177	227	224	709	352	101	85	K700S	40.3
250	10	253	322	68	215	280	224	709	352	101	85	K700S	47.9

■ Heavy duty

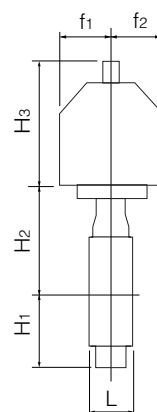
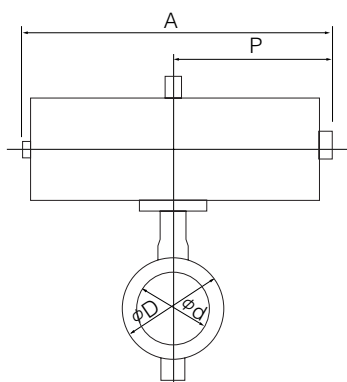
Nominal size		Dimension (mm)										Cylinder type	Approx. Mass (kg)
mm	inch	ϕd	ϕD	L	H ₁	H ₂	H ₃	A	P	f ₁	f ₂		
50	2	56	90	43	68	138	133	362	178.5	53	51	K70S	6.9
65	2 1/2	69	115	46	79	151	157	446	220.5	65	58	K170S	11.4
80	3	84	126	46	86	156	157	446	220.5	65	58	K170S	11.5
100	4	104	146	52	103	167	184	547	271	83	69	S370S	19.2
125	5	130	181	56	118	191	184	547	271	83	69	K370S	21.2
150	6	153.5	211	56	135	202	224	709	352	101	85	K700S	36.9

Selection criteria	Standard	Select when none of the following heavy duty items apply.
	Heavy duty	Select when any of the following items apply. ① Powder or high viscosity fluid (crude oil, etc.) ② Control specification (with positioner) ③ Emergency open valve or pipe dead end valve ④ Air or Gas

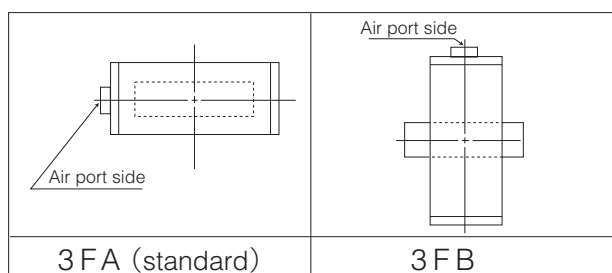
■ 704G-3F



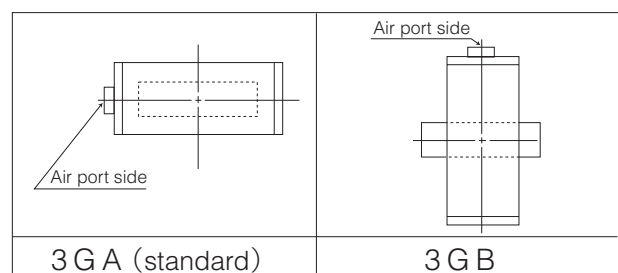
■ 704G-3G



■ 3F Installation direction



■ 3G Installation direction



704G (Full lugged)

Single-acting pneumatic cylinder type 704G-3U (Air to open: 200mm to 600mm) / 704G-3K (Air to close: 200mm to 600mm)

Standard

Nominal size		Dimension (mm)											Cylinder type	Approx. Mass (kg)
mm	inch	ϕd	ϕD		L	H ₁	H ₂	H ₃	A	P	f ₁	f ₂		
			JIS5K	JIS10K										
250	10	253	402	402	68	215	280	307	945	585	70	165	TG-10S	88
300	12	302	472	438	78	253	312	307	1080	720	94	206	TG-12S	145 (143)
350	14	337	533	505	78	276	348	307	1080	720	94	206	TG-12S	171 (171)
400	16	394	597	597	102	338	383	340	1255	865	131	257	TG-14S	305
450	18	441	634	626	114	368	413	340	1255	865	131	257	TG-14S	330 (333)
500	20	492	696	696	127	403	453	474	1655	1095	164	348	TG-20S	590
600	24	584	820	795	154	458	528	474	1655	1095	164	348	TG-20S	686 (680)

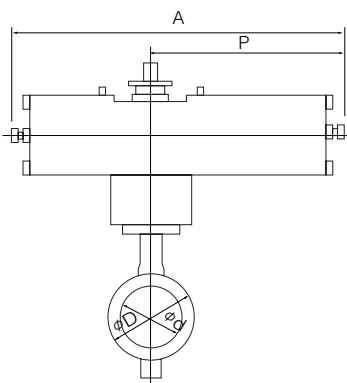
Heavy duty

Nominal size		Dimension (mm)											Cylinder type	Approx. Mass (kg)
mm	inch	ϕd	ϕD		L	H ₁	H ₂	H ₃	A	P	f ₁	f ₂		
			JIS5K	JIS10K										
200	8	199	334	329	60	186	227	307	945	585	70	165	TG-10S	75 (77)
250	10	253	402	402	68	215	280	307	1080	720	94	206	TG-12S	133
300	12	302	472	438	78	253	312	307	1080	720	94	206	TG-12S	145 (143)
350	14	337	533	505	78	276	348	340	1255	865	131	257	TG-14S	267 (267)
400	16	394	597	597	102	338	383	340	1255	865	131	257	TG-14S	305
450	18	441	634	626	114	368	413	474	1655	1095	164	348	TG-20S	543 (546)
500	20	492	696	696	127	403	453	474	1655	1095	164	348	TG-20S	590
600	24	584	820	795	154	458	528	474	1655	1095	164	348	TG-20S	686 (680)

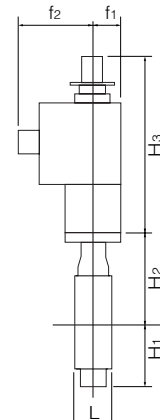
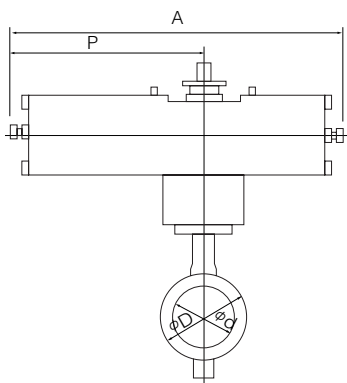
Remark: Value in brackets is for JIS 10K flanges.

Selection criteria	Standard	Select when none of the following heavy duty items apply.
	Heavy duty	Select when any of the following items apply. ① Powder or high viscosity fluid (crude oil, etc.) ② Control specification (with positioner) ③ Emergency open valve or pipe dead end valve ④ Air or Gas

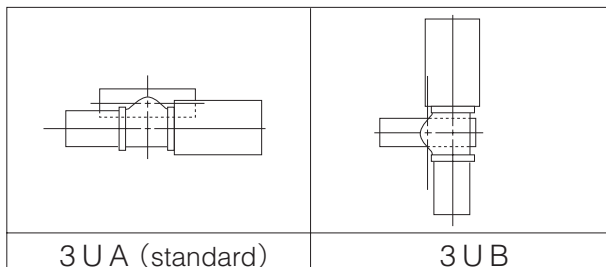
704G-3U



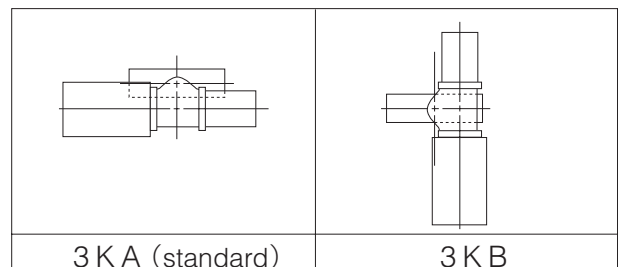
704G-3K



3U Installation direction



3K Installation direction



Single phase electric motor type 704G-4 I (50mm to 500mm)

Nominal size		Dimension (mm)											Motor type	Approx. Mass (kg)
mm	inch	ϕd	ϕD		L	H ₁	H ₂	H ₃	A	P	F	K		
			JIS5K	JIS10K										
50	2	56	90	90	43	85	138	120	161	84	58	45	4 I-00	5.9
								150	202	100	85	54	4 I-0	6.7
65	2 1/2	69	115	115	46	94	151	150	202	100	85	54	4 I-0	7.7 (9)
80	3	84	126	190	46	109	156	150	202	100	85	54	4 I-0	8.2
100	4	104	223	223	52	117	167	165	252	138	126	65	4 I-1	13.8
125	5	130	250	250	56	143	191	198	310	167	154	85	4 I-2	21.8
150	6	153.5	276	276	56	164	202	198	310	167	154	85	4 I-2	25 (31.7)
200	8	199	334	329	60	186	227	198	310	167	154	85	4 I-2.5	30.2
250	10	253	402	402	68	215	280	198	310	167	154	85	4 I-2.5	45 (66)
300	12	302	472	438	78	253	312	230	388	223	246	136	4 I-3	68 (93)
350	14	337	533	505	78	276	348	230	388	223	246	136	4 I-3	93
400	16	394	597	597	102	338	383	230	388	223	246	136	4 I-3	130
								255	388	223	246	136	4 I-4	136 (164)
450	18	441	634	626	114	368	413	230	388	223	246	136	4 I-4	161
500	20	492	696	696	127	403	453	230	388	223	246	136	4 I-4	208

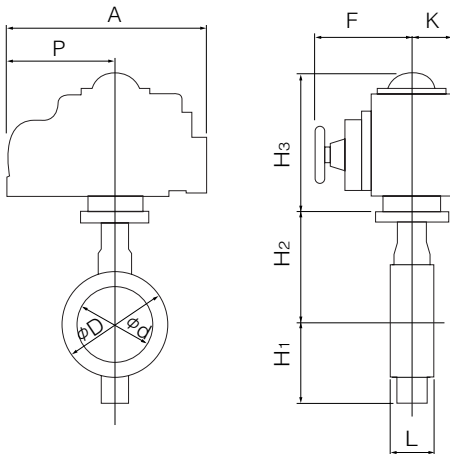
Note 1: For nominal size 50 mm type (for control), the 4I-0 type should be selected. (The 4I-00 type is only designed for ON-OFF operation.)

Remark: Value in brackets is for JIS 10K flanges.

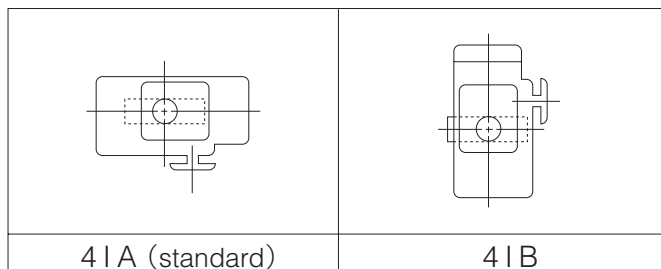
Remark: For 300mm type with the accessories below, type 4I-4 should be selected.

- Micom unit
- Servo unit
- Speed control unit
- Potentiometer

704G-4 I



4I Installation direction



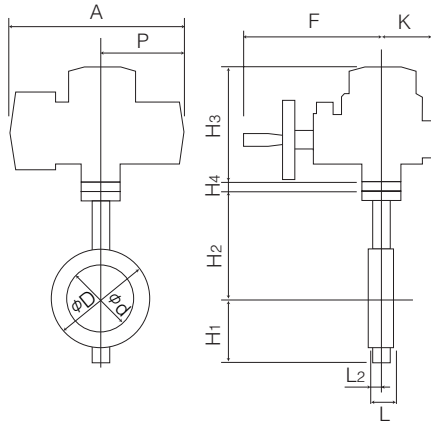
704G (Full lugged)

Three phase motor actuator type 704G-4J (50mm to 300mm)

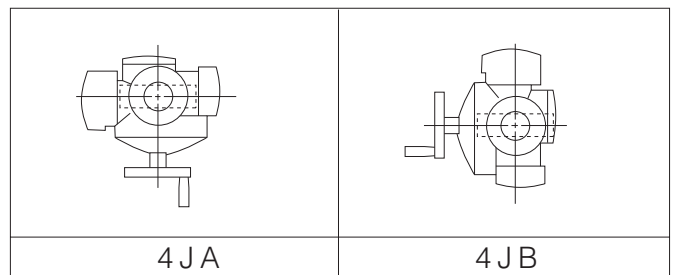
Nominal size		Dimension (mm)												Motor type	Approx. Mass (kg)
mm	inch	ϕd	ϕD		L	H ₁	H ₂	H ₃	H ₄	A	P	F	K		
			JIS5K	JIS10K											
50	2	56	90	90	43	85	138	218	3.2	353	167	286	104	SRJ-010	15.5
65	2 1/2	69	115	115	46	94	151	218	3.2	353	167	286	104	SRJ-010	16.5(17.8)
80	3	84	126	190	46	109	156	218	3.2	353	167	286	104	SRJ-010	17
100	4	104	223	223	52	117	167	218	3.2	353	167	286	104	SRJ-010	10.4
125	5	130	250	250	56	143	191	218	15	353	167	286	104	SRJ-020	23.6
150	6	153.5	276	276	56	164	202	218	15	353	167	286	104	SRJ-020	26.8
200	8	199	334	329	60	186	227	235	3.2	393	191	330	130	SRJ-060	37
250	10	253	402	402	68	215	280	235	3.2	393	191	330	130	SRJ-060	50 (33.5)
300	12	302	472	438	78	253	312	235	20	393	191	330	130	SRJ-060	62 (42)

Remark: Value in brackets is for JIS 10K flanges.

704G-4J



4J Installation direction

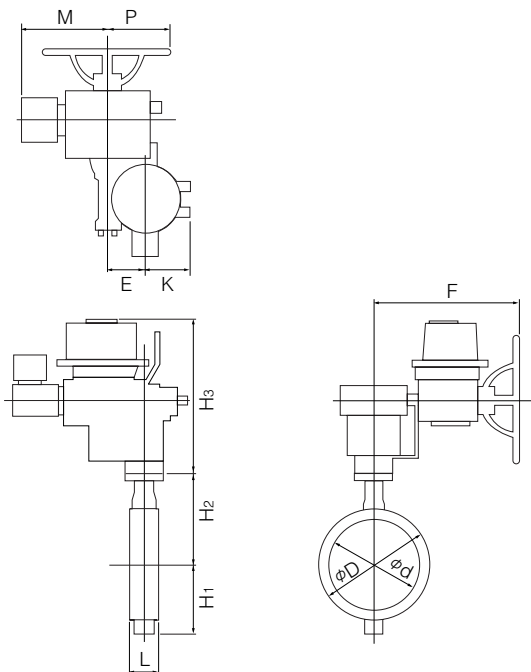


Three phase motor actuator type 704G-4L (350mm to 600mm)

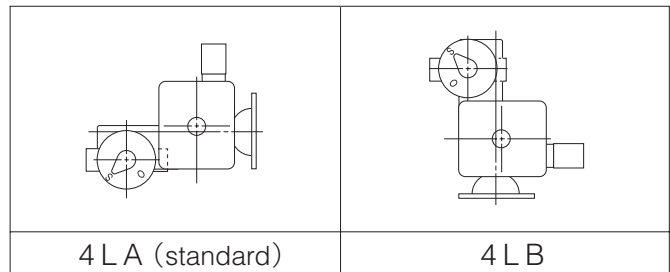
Nominal size		Dimension (mm)												Motor type	Approx. Mass (kg)
mm	inch	ϕd	ϕD		L	H ₁	H ₂	H ₃	E	K	F	M	P		
			JIS5K	JIS10K											
350	14	337	533	505	78	276	348	487	117	164	533	357	230	LTKD-01 0.2kW /MGH-3	171 (171)
400	16	394	597	597	102	338	383	487	117	164	533	357	230	LTKD-01 0.2kW /MGH-3	208
450	18	441	634	626	114	368	413	487	117	164	533	370	230	LTKD-01 0.4kW /MGH-3	237 (240)
500	20	492	696	696	127	403	453	487	117	164	533	370	230	LTKD-01 0.4kW /MGH-3	284
600	24	584	820	795	154	458	528	590	140	198	637	440	375	LTKD-05 0.75kW /MGH-4	482 (476)

Remark: Value in brackets is for JIS 10K flanges.

■704G-4L



■4L Installation direction

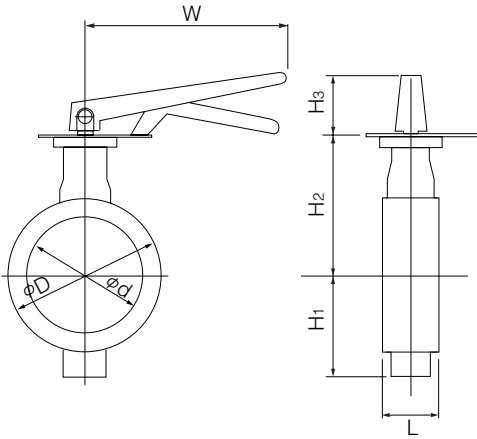


705G (Semi lugged)

Lock lever type 705G-1T (50mm to 200mm)

Nominal size		Dimension (mm)							Lever type	Approx. Mass (kg)
mm	inch	ϕd	ϕD	L	H ₁	H ₂	H ₃	W		
50	2	56	90	43	85	138	66	200	1T-1	3.1
65	2 1/2	69	115	46	94	151	66	200	1T-1	4.1
80	3	84	126	46	109	156	66	200	1T-1	4.6
100	4	104	146	52	117	167	66	200	1T-1	5.6
125	5	130	181	56	143	191	92	300	1T-2	9.3
150	6	153.5	211	56	164	202	92	300	1T-2	12.3
200	8	199	256	60	186	227	97	350	1T-3	16.7

705G-1T



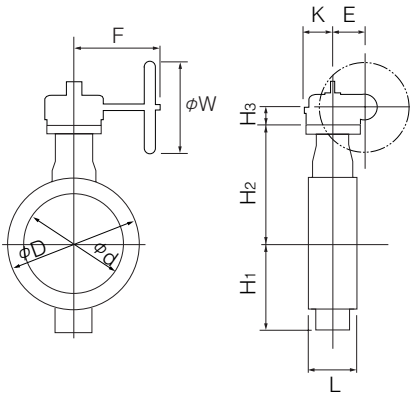
1T Installation direction

1TLS (standard)	1TLR	1TRS	1TRR
1TXS	1TXR	1TVS	1TVR

Worm gear type 705G-2U (50mm to 600mm)

Nominal size		Dimension (mm)										Gear type	Approx. Mass (kg)
mm	inch	ϕd	ϕD	L	H ₁	H ₂	H ₃	E	K	F	W		
50	2	56	90	43	85	138	29.5	36	46	160	100	2U-0	4.8
65	2 1/2	69	115	46	94	151	29.5	36	46	160	100	2U-0	5.8
80	3	84	126	46	109	156	29.5	36	46	160	100	2U-1	6.3
100	4	104	146	52	117	167	29.5	36	46	160	100	2U-1	7.3
125	5	130	181	56	143	191	34.5	44	53	173.5	160	2U-2	12.2
150	6	153.5	211	56	164	202	34.5	44	53	173.5	160	2U-2	16
200	8	199	256	60	186	227	41.5	67	75	198	200	2U-3	23
250	10	253	322	68	215	280	41.5	67	75	198	200	2U-3	32
300	12	302	367	78	253	312	48	87.5	90	222.5	200	2U-4	45
350	14	337	410	78	276	348	48	87.5	90	222.5	280	2U-4	63
400	16	394	469	102	338	383	50	90	105	266	280	2U-5	88
450	18	441	525	114	368	413	50	90	105	266	280	2U-5	112
500	20	492	580	127	403	453	50	90	105	266	280	2U-5	143
600	24	584	682	154	458	528	61	113	140	352	400	2U-6	222

■ **705G-2U**



■ **2U Installation direction**

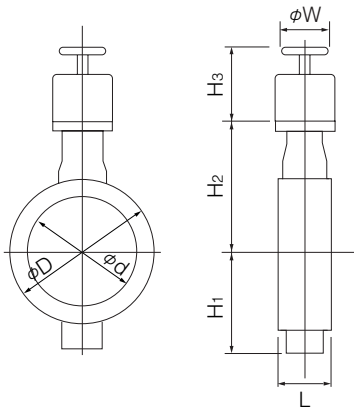
2U A (standard)	2U AR	2U B	2U BR

705G (Semi lugged)

Center handle type 705G-2G (50mm to 300mm) / 705G-2R (350mm to 600mm)

Nominal size		Dimension (mm)							Center handle type	Approx. Mass (kg)
mm	inch	ϕd	ϕD	L	H ₁	H ₂	H ₃	W		
50	2	56	90	43	85	138	136	100	2G-1	5.4
65	2 1/2	69	115	46	94	151	136	100	2G-1	6.4
80	3	84	126	46	109	156	136	100	2G-1	6.9
100	4	104	146	52	117	167	136	100	2G-1	7.9
125	5	130	181	56	143	191	133	100	2G-2	11.8
150	6	153.5	211	56	164	202	133	100	2G-2	14.8
200	8	199	256	60	186	227	151	200	2G-3	22.1
250	10	253	322	68	215	280	151	200	2G-3	32
300	12	302	367	78	253	312	161	200	2G-4	39
350	14	337	410	78	276	348	409	355	2R-3	80
400	16	394	469	102	338	383	409	355	2R-3	105
450	18	441	525	114	368	413	409	355	2R-3	130
500	20	492	580	127	403	453	409	355	2R-3	161
600	24	584	682	154	458	528	498	450	2R-4	244

705G-2G/2R



Double-acting pneumatic cylinder type 705G-3E (50mm to 350mm)

■ Standard

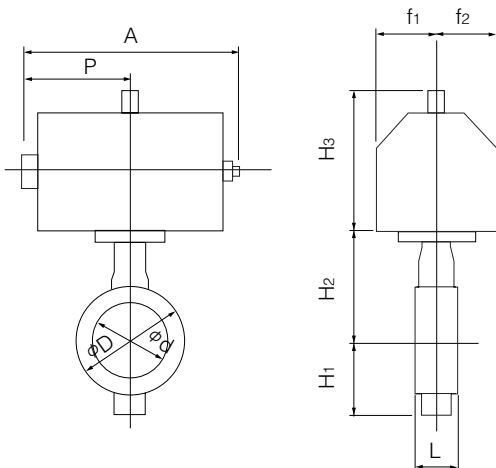
Nominal size		Dimension (mm)										Cylinder type	Approx. Mass (kg)
mm	inch	ϕd	ϕD	L	H ₁	H ₂	H ₃	A	P	f ₁	f ₂		
50	2	56	90	43	68	138	113	218.5	113.5	35	50	K30	3.7
65	2 1/2	69	115	46	79	151	113	218.5	113.5	35	50	K30	4.4
80	3	84	126	46	86	156	133	268	138	53	51	K70	6.5
100	4	104	146	52	103	167	133	268	138	53	51	K70	7.3
125	5	130	181	56	118	191	133	268	138	53	51	K70	9.3
150	6	153	211	56	135	202	157	332	171	65	58	K170	13.6
200	8	199	256	60	177	227	184	411	209	83	69	K370	22
250	10	253	322	68	215	280	184	411	209	83	69	K370	29.6
300	12	302	367	78	253	312	224	520	262	101	85	K700	46.5
350	14	337	410	78	276	348	224	520	262	101	85	K700	71.5

■ Heavy duty

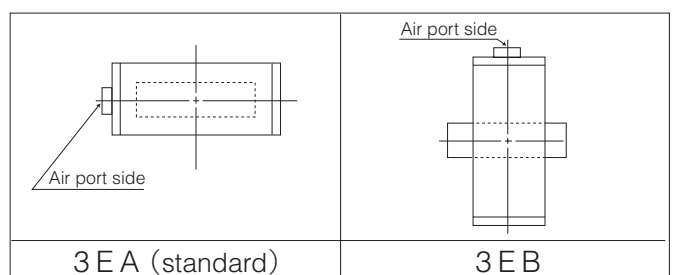
Nominal size		Dimension (mm)										Cylinder type	Approx. Mass (kg)
mm	inch	ϕd	ϕD	L	H ₁	H ₂	H ₃	A	P	f ₁	f ₂		
50	2	56	90	43	68	138	113	218.5	113.5	35	50	K30	3.7
65	2 1/2	69	115	46	79	151	113	218.5	113.5	35	50	K30	4.4
80	3	84	126	46	86	156	133	268	138	53	51	K70	6.5
100	4	104	146	52	103	167	157	332	171	65	58	K170	10
125	5	130	181	56	118	191	157	332	171	65	58	K170	12
150	6	153.5	211	56	135	202	157	332	171	65	58	K170	13.6
200	8	199	256	60	177	227	184	411	209	83	69	K370	22
250	10	253	322	68	215	280	184	411	209	83	69	K370	29.6
300	12	302	367	78	253	312	224	520	262	101	85	K700	46.5

Selection criteria	Standard	Select when none of the following heavy duty items apply.
	Heavy duty	Select when any of the following items apply. ① Powder or high viscosity fluid (crude oil, etc.) ② Control specification (with positioner) ③ Emergency open valve or pipe dead end valve ④ Air or Gas

■ 705G-3E



■ 3E Installation direction



705G (Semi lugged)

Double-acting pneumatic cylinder type 705G-3A (400mm to 600mm)

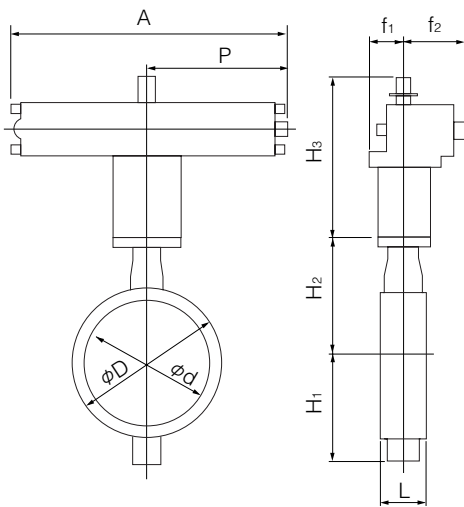
Standard

Nominal size		Dimension (mm)										Cylinder type	Approx. Mass (kg)
mm	inch	ϕd	ϕD	L	H ₁	H ₂	H ₃	A	P	f ₁	f ₂		
400	16	394	469	102	338	383	364	743	381	100	164	TGA-125	110
450	18	441	525	114	368	413	412	810	417	100	180	TGA-140	150
500	20	492	580	127	403	453	465	939	483	130	202	TGA-160	217
600	24	584	682	154	458	528	478	1053	543	130	218	TGA-180	330

Heavy duty

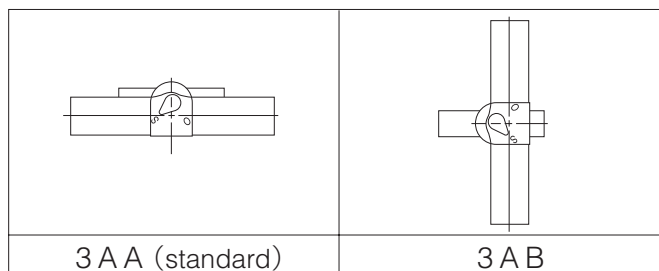
Nominal size		Dimension (mm)										Cylinder type	Approx. Mass (kg)
mm	inch	ϕd	ϕD	L	H ₁	H ₂	H ₃	A	P	f ₁	f ₂		
350	14	337	410	78	276	348	364	743	381	100	164	TGA-125	85
400	16	394	469	102	338	383	412	810	417	100	180	TGA-140	124
450	18	441	525	114	368	413	465	939	483	130	202	TGA-160	197
500	20	492	580	127	403	453	465	939	483	130	202	TGA-160	217
600	24	584	682	154	458	528	525	1163	599	160	253	TGA-200	390

705G-3A



Selection criteria	Standard	Select when none of the following heavy duty items apply.
	Heavy duty	Select when any of the following items apply. ① Powder or high viscosity fluid (crude oil, etc.) ② Control specification (with positioner) ③ Emergency open valve or pipe dead end valve ④ Air or Gas

3A Installation direction



Single-acting pneumatic cylinder type 705G-3G (Air to open: 50mm to 250mm) / 705G-3R (Air to close: 50mm to 250mm)

■ Standard

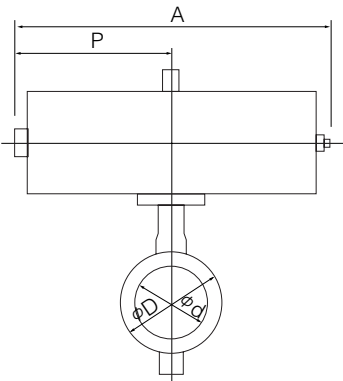
Nominal size		Dimension (mm)										Cylinder type	Approx. Mass (kg)
mm	inch	ϕd	ϕD	L	H ₁	H ₂	H ₃	A	P	f ₁	f ₂		
50	2	56	90	43	68	138	133	362	178.5	53	51	K70S	6.9
65	2 1/2	69	115	46	79	151	157	446	220.5	65	58	K170S	11.4
80	3	84	126	46	86	156	157	446	220.5	65	58	K170S	11.5
100	4	104	146	52	103	167	157	446	220.5	65	58	K170S	12.3
125	5	130	181	56	118	191	184	547	271	83	69	K370S	21.2
150	6	153.5	211	56	135	202	184	547	271	83	69	K370S	22.8
200	8	199	256	60	177	227	224	709	352	101	85	K700S	40.3
250	10	253	322	68	215	280	224	709	352	101	85	K700S	47.9

■ Heavy duty

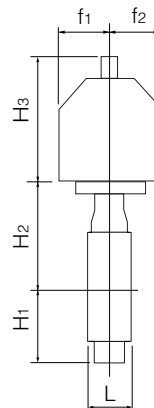
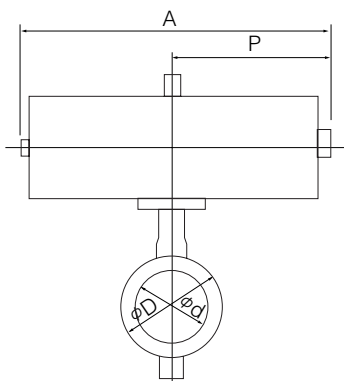
Nominal size		Dimension (mm)										Cylinder type	Approx. Mass (kg)
mm	inch	ϕd	ϕD	L	H ₁	H ₂	H ₃	A	P	f ₁	f ₂		
50	2	56	90	43	68	138	133	362	178.5	53	51	K70S	6.9
65	2 1/2	69	115	46	79	151	157	446	220.5	65	58	K170S	11.4
80	3	84	126	46	86	156	157	446	220.5	65	58	K170S	11.5
100	4	104	146	52	103	167	184	547	271	83	69	S370S	19.2
125	5	130	181	56	118	191	184	547	271	83	69	K370S	21.2
150	6	153.5	211	56	135	202	224	709	352	101	85	K700S	36.9

Selection criteria	Standard	Select when none of the following heavy duty items apply.
	Heavy duty	Select when any of the following items apply. ① Powder or high viscosity fluid (crude oil, etc.) ② Control specification (with positioner) ③ Emergency open valve or pipe dead end valve ④ Air or Gas

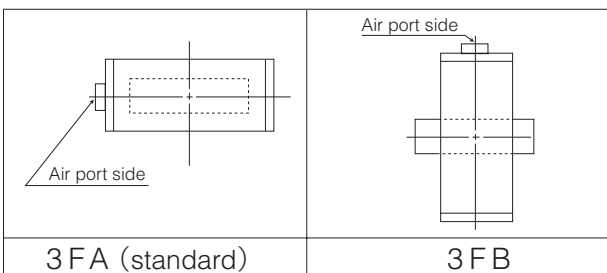
■ 705G-3F



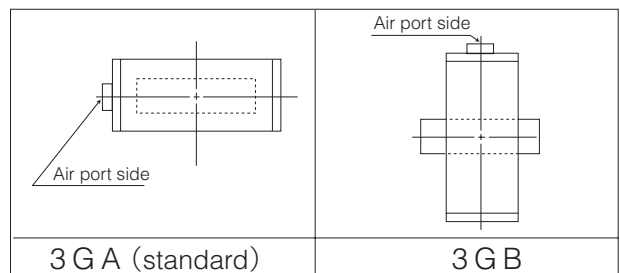
■ 705G-3G



■ 3F Installation direction



■ 3G Installation direction



705G (Semi lugged)

Single-acting pneumatic cylinder type 705G-3U (Air to open: 200mm to 600mm) / 705G-3K (Air to close: 200mm to 600mm)

Standard

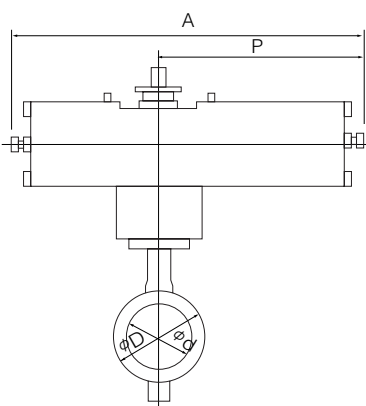
Nominal size		Dimension (mm)										Cylinder type	Approx. Mass (kg)
mm	inch	ϕd	ϕD	L	H ₁	H ₂	H ₃	A	P	f ₁	f ₂		
250	10	253	322	68	215	280	307	945	585	70	165	TG-10S	80
300	12	302	367	78	253	312	307	1080	720	94	206	TG-12S	132
350	14	337	410	78	276	348	307	1080	720	94	206	TG-12S	148
400	16	394	469	102	338	383	340	1255	865	131	257	TG-14S	270
450	18	441	525	114	368	413	340	1255	865	131	257	TG-14S	294
500	20	492	580	127	403	453	474	1655	1095	164	348	TG-20S	538
600	24	584	682	154	458	528	474	1655	1095	164	348	TG-20S	602

Heavy duty

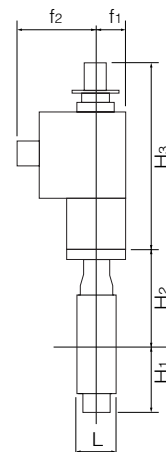
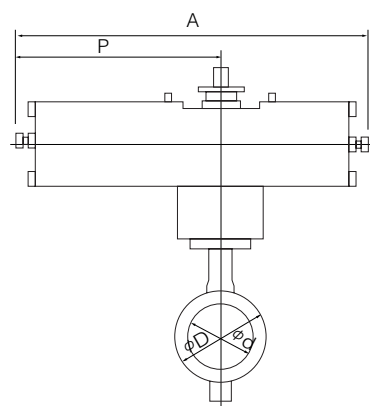
Nominal size		Dimension (mm)										Cylinder type	Approx. Mass (kg)
mm	inch	ϕd	ϕD	L	H ₁	H ₂	H ₃	A	P	f ₁	f ₂		
200	8	199	256	60	186	227	307	945	585	70	165	TG-10S	71
250	10	253	322	68	215	280	307	1080	720	94	206	TG-12S	125
300	12	302	367	78	253	312	307	1080	720	94	206	TG-12S	132
350	14	337	410	78	276	348	340	1255	865	131	257	TG-14S	244
400	16	394	469	102	338	383	340	1255	865	131	257	TG-14S	270
450	18	441	525	114	368	413	474	1655	1095	164	348	TG-20S	507
500	20	492	580	127	403	453	474	1655	1095	164	348	TG-20S	538
600	24	584	682	154	458	528	474	1655	1095	164	348	TG-20S	602

Selection criteria	Standard	Select when none of the following heavy duty items apply.
	Heavy duty	Select when any of the following items apply. ① Powder or high viscosity fluid (crude oil, etc.) ② Control specification (with positioner) ③ Emergency open valve or pipe dead end valve ④ Air or Gas

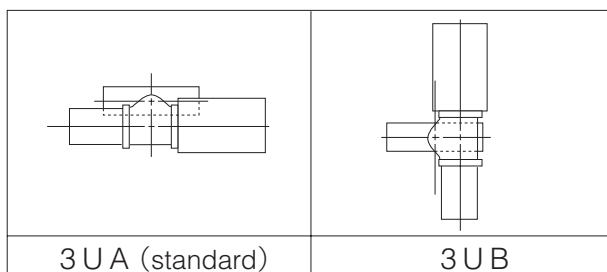
705G-3U



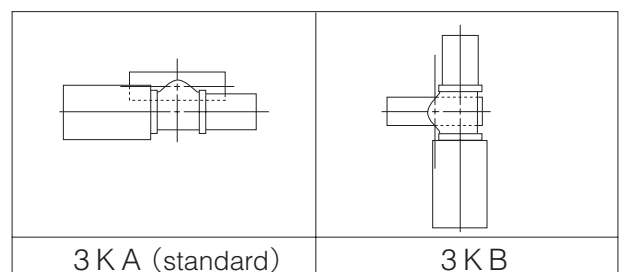
705G-3K



3U Installation direction



3K Installation direction



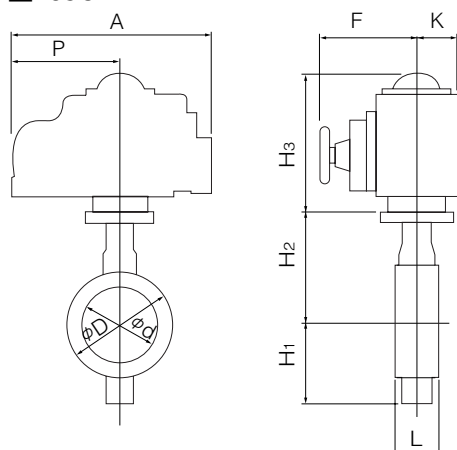
Single phase electric motor type 705G-4 I (50mm to 500mm)

Nominal size		Dimension (mm)										Motor type	Approx. Mass (kg)
mm	inch	ϕd	ϕD	L	H ₁	H ₂	H ₃	A	P	F	K		
50	2	56	90	43	85	138	120	161	84	58	45	4 I-00	5.3
							150	202	100	85	54	4 I-0	6.7
65	2 1/2	69	115	46	94	151	150	202	100	85	54	4 I-0	7.7
80	3	84	126	46	109	156	150	202	100	85	54	4 I-0	8.2
100	4	104	146	52	117	167	165	252	138	126	65	4 I-1	11.4
125	5	130	181	56	143	191	198	310	167	154	85	4 I-2	19.2
150	6	153.5	211	56	164	202	198	310	167	154	85	4 I-2	22.2
200	8	199	256	60	186	227	198	310	167	154	85	4 I-2.5	26.2
250	10	253	322	68	215	280	198	310	167	154	85	4 I-2.5	37
300	12	302	367	78	253	312	230	388	223	246	136	4 I-3	55
350	14	337	410	78	276	348	230	388	223	246	136	4 I-3	70
400	16	394	469	102	338	383	230	388	223	246	136	4 I-3	95
							255	388	223	246	136	4 I-4	101
450	18	441	525	114	368	413	230	388	223	246	136	4 I-4	125
500	20	492	580	127	403	453	230	388	223	246	136	4 I-4	156

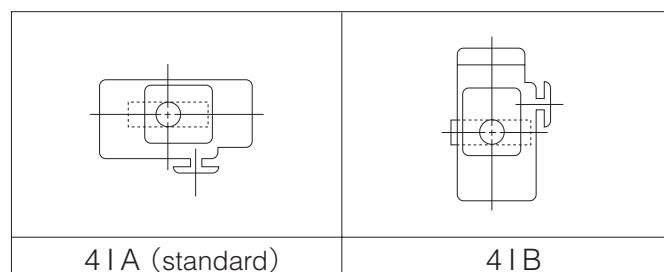
Note 1: For nominal size 50 mm type (for control), the 4I-0 type should be selected. (The 4I-00 type is only designed for ON-OFF operation.)
 Remark: For 400mm type with the accessories below, type 4I-4 should be selected.

- Micom unit
- Servo unit
- Speed control unit
- Potentiometer

705G-4 I



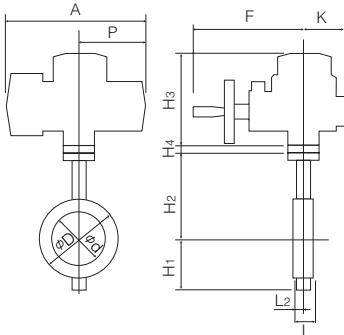
4 I Installation direction



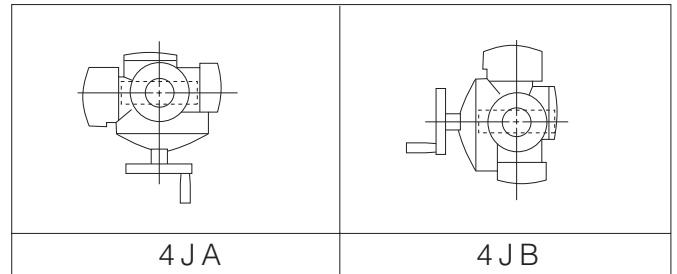
Three phase motor actuator type 705G-4J (50mm to 300mm)

Nominal size		Dimension (mm)											Motor type	Approx. Mass (kg)
mm	inch	ϕd	ϕD	L	H ₁	H ₂	H ₃	H ₄	A	P	F	K		
50	2	56	90	43	85	138	218	3.2	353	167	286	104	SRJ-010	16.2
65	2 1/2	69	115	46	94	151	218	3.2	353	167	286	104	SRJ-010	17.2
80	3	84	126	46	109	156	218	3.2	353	167	286	104	SRJ-010	17.7
100	4	104	146	52	117	167	218	3.2	353	167	286	104	SRJ-010	18.5
125	5	130	181	56	143	191	218	15	353	167	286	104	SRJ-020	22.2
150	6	153.5	211	56	164	202	218	15	353	167	286	104	SRJ-020	25
200	8	199	256	60	186	227	235	3.2	393	191	330	130	SRJ-060	43
250	10	253	322	68	215	280	235	3.2	393	191	330	130	SRJ-060	56
300	12	302	367	78	253	312	235	20	393	191	330	130	SRJ-060	67

705G-4J



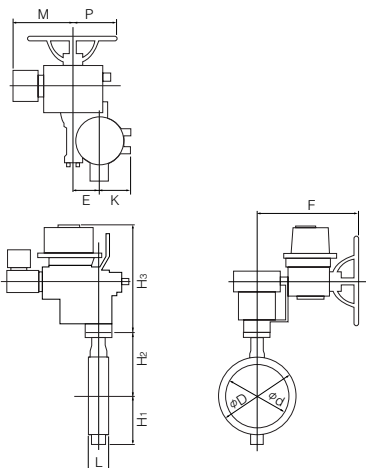
4J Installation direction



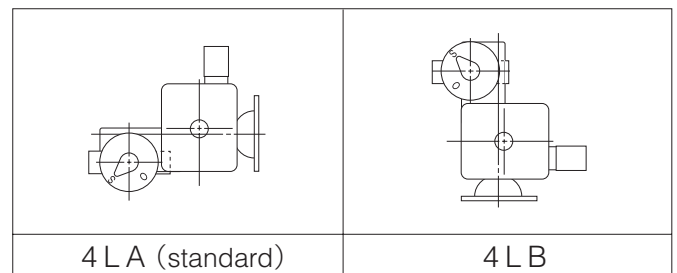
Three phase motor actuator type 705G-4L (350mm to 600mm)

Nominal size		Dimension (mm)											Motor type	Approx. Mass (kg)
mm	inch	ϕd	ϕD	L	H ₁	H ₂	H ₃	E	K	F	M	P		
350	14	337	410	78	276	348	487	117	164	533	357	230	LTKD-01 0.2kW /MGH-3	148
400	16	394	469	102	338	383	487	117	164	533	357	230	LTKD-01 0.2kW /MGH-3	173
450	18	441	525	114	368	413	487	117	164	533	370	230	LTKD-01 0.4kW /MGH-3	201
500	20	492	580	127	403	453	487	117	164	533	370	230	LTKD-01 0.4kW /MGH-3	232
600	24	584	682	154	458	528	590	140	198	637	440	375	LTKD-05 0.75kW /MGH-4	398

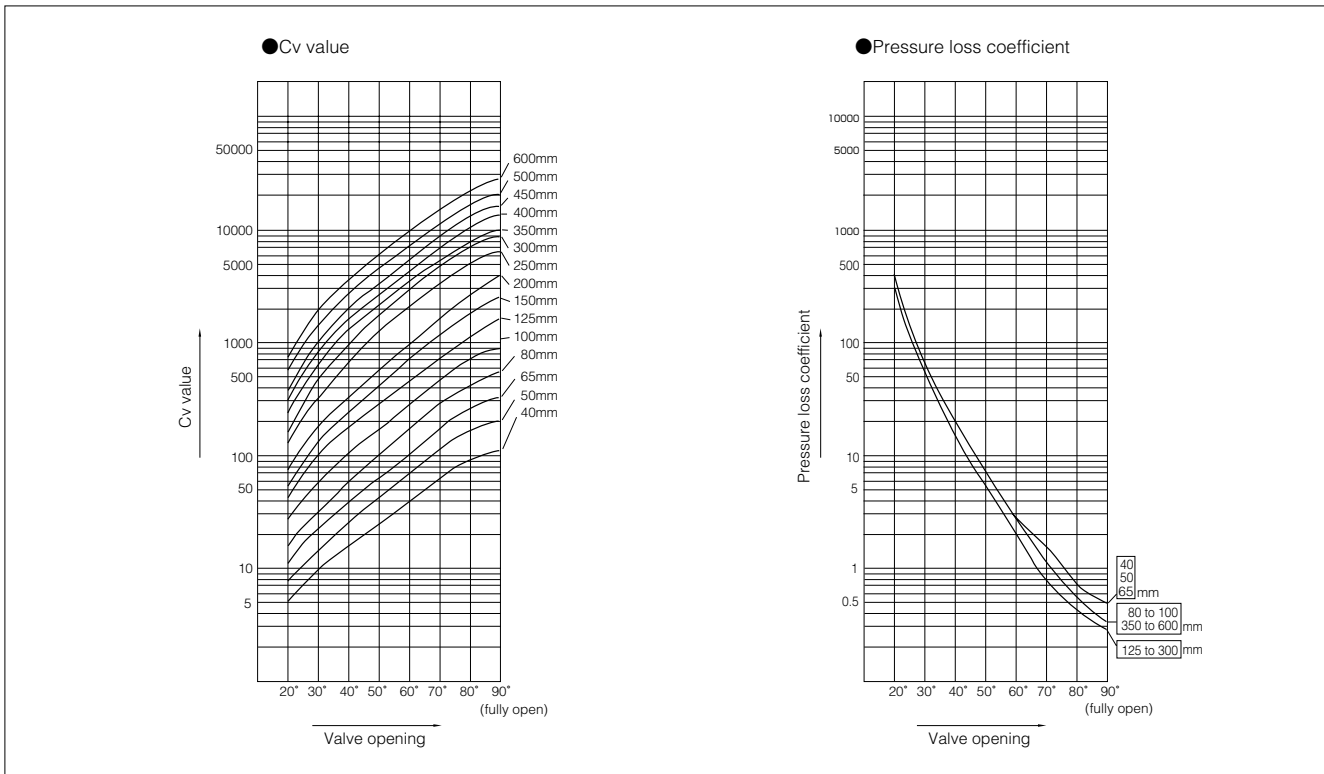
705G-4L



4L Installation direction



700G/704G/705G Cv value/pressure loss coefficient



700G/704G/705G Cv value

Nominal size		Valve opening							
		20°	30°	40°	50°	60°	70°	80°	90°
40	1 1/2	5	9	16	25	39	61	95	121
50	2	8	15	25	40	64	103	160	200
65	2 1/2	12	25	41	64	102	162	260	320
80	3	15	33	57	95	163	271	450	580
100	4	27	58	100	162	269	444	749	880
125	5	45	109	189	295	453	719	1144	1590
150	6	60	148	262	423	685	1147	1897	2800
200	8	67	188	347	576	969	1698	2902	4300
250	10	130	351	675	1225	2125	3375	5091	6200
300	12	194	487	972	1764	3011	4966	7412	8900
350	14	232	662	1350	2030	3294	5167	7832	9620
400	16	468	964	1648	2724	4529	6815	10553	12700
450	18	583	1202	2068	3448	5692	8384	13116	15500
500	20	758	1555	2656	4379	7214	10845	17100	19800
600	24	1037	2141	3681	6129	10106	14911	22827	27300

700G (Wafer) / 704G (Full lugged) / 705G (Semi lugged)

700G / 704G / 705G Pressure Loss Coefficient

Nominal size		Valve opening							
mm	inch	20°	30°	40°	50°	60°	70°	80°	90°
40	1 1/2	264	72	26	10	4	2	1	0.4
50	2	257	68	25	10	4	2	1	0.4
65	2 1/2	310	75	28	11	4	2	1	0.4
80	3	394	83	27	10	3	1	0.4	0.2
100	4	350	78	26	10	4	1	0.4	0.3
125	5	316	53	18	7	3	1	0.4	0.2
150	6	348	57	18	7	3	1	0.3	0.1
200	8	849	106	31	11	4	1	0.4	0.2
250	10	528	72	20	6	2	1	0.3	0.2
300	12	488	78	20	6	2	1	0.3	0.2
350	14	531	65	16	7	3	1	0.4	0.3
400	16	227	54	18	7	2	1	0.4	0.3
450	18	239	56	19	7	3	1	0.4	0.3
500	20	218	52	18	7	2	1	0.4	0.3
600	24	247	58	20	7	3	1	1	0.3

700G Applicable Flange Standard

Nominal size		JIS		ANSI		BS4504		DIN		BS10
mm	inch	5K	10K	125Lb	150Lb	PN10	PN16	NP10	NP16	Table E
40	1 1/2	○	○	○	○	○	○	○	○	○
50	2	○	○	○	○	○	○	○	○	○
65	2 1/2	○	○	○	○	○	○	○	○	△
80	3	○	○	◎	◎	◎	◎	◎	◎	○
100	4	○	○	◎	◎	◎	◎	◎	◎	○
125	5	○	○	◎	◎	◎	◎	◎	◎	○
150	6	○	○	○	○	○	○	○	○	○
200	8	○	○	◎	◎	◎	◎	◎	◎	○
250	10	○	○	○	○	○	○	○	○	○
300	12	○	○	◎	◎	◎	◎	◎	◎	○
350	14	○	○	×	×	×	×	×	×	×
400	16	○	○	×	×	×	×	×	×	×
450	18	○	○	×	×	×	×	×	×	×
500	20	○	○	×	×	×	×	×	×	×
600	24	T	T	×	×	×	×	×	×	×

○: Can be used without flange drilling.

◎: Can be used without flange drilling. (Use ANSI body.)

△: With additional flange drilling.

T: With flange tapping.

×: Not applicable.

704G Applicable Flange Standard

Nominal size		JIS		ANSI		BS4504		DIN		BS10 Table E
mm	inch	5K	10K	125Lb	150Lb	PN10	PN16	NP10	NP16	
50	2	○D/T	○D/T	○D/T	○D/T	○D/T	○D/T	○D/T	○D/T	○D/T
65	2 1/2	○D/T	○D/T	○D/T	○D/T	○D/T	○D/T	○D/T	○D/T	○D/T
80	3	◎D/T	○D/T	◎D/T	◎D/T	○D/T	○D/T	○D/T	○D/T	◎D/T
100	4	○D/T	○D/T	○D/T	○D/T	○D/T	○D/T	○D/T	○D/T	○D/T
125	5	○D/T	○D/T	○D/T	○D/T	○D/T	○D/T	○D/T	○D/T	○D/T
150	6	○D/T	○D/T	○D/T	○D/T	○D/T	○D/T	○D/T	○D/T	○D/T
200	8	◎D/T	○D/T	◎D/T	◎D/T	◎D/T	○D/T	◎D/T	○D/T	◎D/T
250	10	○D/T	○D/T	○D/T	○D/T	○D/T	○D/T	○D/T	○D/T	○D/T
300	12	◎D/T	○D/T	◎D/T	◎D/T	◎D/T	◎D/T	◎D/T	◎D/T	◎D/T
350	14	◎D/T	○D/T	◎D/T	◎D/T	○D/T	○D/T	○D/T	○D/T	◎D/T
400	16	○D/T	○D/T	○D/T	○D/T	○D/T	○D/T	○D/T	○D/T	△D/T
450	18	◎D/T	○D/T	◎D/T	◎D/T	○D/T	○D/T	○D/T	○D/T	○D/T
500	20	○D/T	○D/T	○D/T	○D/T	○D/T	○D/T	○D/T	○D/T	△D/T
600	24	◎T	○T	◎T	◎T	◎T	◎T	◎T	◎T	△T

○D/T: Drilled or tapped hole
 ◎D/T: Drilled or tapped hole (JIS 5K / ANSI body used)
 △D/T: Drilled or tapped hole (DIN body used)
 ○T: Tapped hole only
 ◎T: Tapped hole only (JIS 5K / ANSI body used)
 △T: Tapped hole only (DIN body used)

705G Applicable Flange Standard

Nominal size		JIS		ANSI		BS4504		DIN		BS10 Table E
mm	inch	5K	10K	125Lb	150Lb	PN10	PN16	NP10	NP16	
50	2	D/T	D/T	D/T	D/T	D/T	D/T	D/T	D/T	D/T
65	2 1/2	D/T	D/T	D/T	D/T	D/T	D/T	D/T	D/T	D/T
80	3	D/T	D/T	D/T	D/T	D/T	D/T	D/T	D/T	D/T
100	4	D/T	D/T	D/T	D/T	D/T	D/T	D/T	D/T	D/T
125	5	D/T	D/T	D/T	D/T	D/T	D/T	D/T	D/T	D/T
150	6	D/T	D/T	D/T	D/T	D/T	D/T	D/T	D/T	D/T
200	8	D/T	D/T	D/T	D/T	D/T	D/T	D/T	D/T	D/T
250	10	D/T	D/T	D/T	D/T	D/T	D/T	D/T	D/T	D/T
300	12	D/T	D/T	D/T	D/T	D/T	D/T	D/T	D/T	D/T
350	14	D/T	D/T	D/T	D/T	D/T	D/T	D/T	D/T	D/T
400	16	D/T	D/T	D/T	D/T	D/T	D/T	D/T	D/T	D/T
450	18	D/T	D/T	D/T	D/T	D/T	D/T	D/T	D/T	D/T
500	20	D/T	D/T	D/T	D/T	D/T	D/T	D/T	D/T	D/T
600	24	T	T	T	T	T	T	T	T	T

D/T: Drilled or tapped hole
 T: Tapped hole only

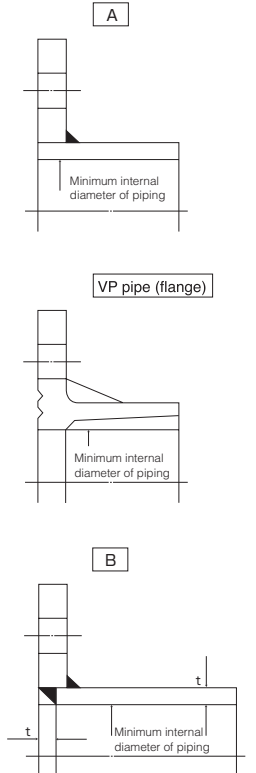
700G (Wafer) / 704G (Full lugged) / 705G (Semi lugged)

700G / 704G / 705G Applicable Pipe List in Case of **A**

Nominal size		SGP	STPY	Sch20	Sch40	VP (TS flange)	Sch10S	Sch20S	Minimum internal diameters of piping (mm)
mm	inch								
40	1 1/2	○	—	—	○	○	○	○	25
50	2	○	—	○	○	○	○	○	34
65	2 1/2	○	—	○	○	○	○	○	51
80	3	○	—	○	○	○	○	○	70
100	4	○	—	○	○	○	○	○	91
125	5	○	—	○	○	○	○	○	118
150	6	○	—	○	○	○	○	○	144
200	8	○	—	○	○	○	○	○	194
250	10	○	—	○	○	○	○	○	246
300	12	○	—	○	○	○	○	○	294
350	14	○	○	○	○	○	—	—	330
400	16	○	○	○	○	—	—	—	381
450	18	○	○	○	○	—	—	—	427
500	20	○	○	○	○	—	—	—	477
600	24	—	○	○	○	—	—	—	567

700G / 704G / 705G Applicable Pipe List in Case of **B**

Nominal size		SGP	STPY	Sch20	Sch40	Sch10S	Sch20S
mm	inch						
40	1 1/2	○	—	—	○	○	○
50	2	○	—	○	○	○	○
65	2 1/2	○	—	○	○	○	○
80	3	○	—	○	○	○	○
100	4	○	—	○	○	○	○
125	5	○	—	○	○	○	○
150	6	○	—	○	○	○	○
200	8	○	—	○	○	○	○
250	10	○	—	○	○	○	○
300	12	○	—	○	○	○	○
350	14	○	○	○	○	—	—
400	16	○	○	○	○	—	—
450	18	○	○	○	○	—	—
500	20	○	○	○	○	—	—
600	24	—	○	○	○	—	—



Remark 1: The symbols above mean the following.
 ○: Piping possible —: Not standardized

Remark 2: Butterfly valves are inserted into a pipe that was fitted with the disc when fully open.
 In cases where you are using a pipe or flange that is less than the minimum inner pipe diameter, use is still possible if means are taken such as inserting a spacer between the valve and flange.
 For details, please consult us.

700G Piping Bolts and Nuts Sizes

■ For Hexagon Bolts and Nuts

Nominal size		JIS 5K		JIS 10K	
mm	inch	Hexagon Bolts and Nuts	Setting Bolts	Hexagon Bolts and Nuts	Setting Bolts
40	1 1/2	4-M12× 75×30	—	4-M16× 90×38	—
50	2	4-M12× 90×30	—	4-M16×100×38	—
65	2 1/2	4-M12× 90×30	—	4-M16×105×38	—
80	3	4-M16× 95×38	—	8-M16×105×38	—
100	4	8-M16×105×38	—	8-M16×110×38	—
125	5	8-M16×110×38	—	8-M20×125×46	—
150	6	8-M16×115×38	—	8-M20×130×52	—
200	8	8-M20×130×52	—	12-M20×130×52	—
250	10	12-M20×140×52	—	12-M22×150×60	—
300	12	12-M20×150×52	—	16-M22×160×60	—
350	14	12-M22×155×45	—	16-M22×160×45	—
400	16	16-M22×180×45	—	16-M24×190×45	—
450	18	16-M22×190×45	—	20-M24×205×45	—
500	20	20-M22×205×45	—	20-M24×215×45	—
600	24	16-M24×235×50	8-M24× 70×54	20-M30×255×60	8-M30× 75×60

■ For Long Bolts and Nuts

Nominal size		JIS 5K		JIS 10K		ANSI 125Lb/150Lb	
mm	inch	Long Bolts and Nuts	Setting Bolts	Long Bolts and Nuts	Setting Bolts	Long Bolts and Nuts	Setting Bolts
40	1 1/2	4-M12× 95×25	—	4-M16×110×25	—	4-U1/2 ×110×32	—
50	2	4-M12×105×25	—	4-M16×120×30	—	4-U5/8 ×140×38	—
65	2 1/2	4-M12×110×25	—	4-M16×125×30	—	4-U5/8 ×140×38	—
80	3	4-M16×120×30	—	8-M16×125×30	—	4-U5/8 ×140×38	—
100	4	8-M16×130×30	—	8-M16×130×30	—	8-U5/8 ×150×38	—
125	5	8-M16×130×30	—	8-M20×150×40	—	8-U3/4 ×160×51	—
150	6	8-M16×140×35	—	8-M20×155×40	—	8-U3/4 ×165×51	—
200	8	8-M20×155×40	—	12-M20×165×40	—	8-U3/4 ×175×51	—
250	10	12-M20×165×40	—	12-M22×175×45	—	12-U7/8 ×195×58	—
300	12	12-M20×175×40	—	16-M22×185×45	—	12-U7/8 ×205×58	—
350	14	12-M22×185×45	—	16-M22×185×45	—	12-U1 ×225	—
400	16	16-M22×205×45	—	16-M24×220×50	—	16-U1 ×255	—
450	18	16-M22×225×45	—	20-M24×245×50	—	16-U1 1/8 ×280	—
500	20	20-M22×230×45	—	20-M24×265×50	—	20-U1 1/8 ×295	—
600	24	16-M24×275×50	8-M24× 70×54	20-M30×300×60	8-M30× 75×60	16-U1 1/4 ×340	8-U1 1/4×95×70

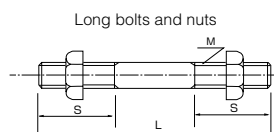
Remarks:

1. Please use a hexagon nut with 80% threading. (For ANSI, use heavy nut.)
 2. A unified screw should have 8 threads per inch if its nominal diameter exceeds 1 inch.
- * Nominal size "600 mm" requires hexagon bolt for setting.

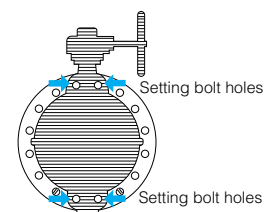
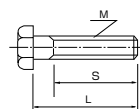
Example

Long bolts: 12 - M22 × 185 × 45
 Quantity Nominal size (M) Length of bolt (L) Effective screw length (S)

Setting bolts: 4 - M30 × 95 × 65
 (Hexagon bolts) Quantity Nominal size (M) Length of bolt (L) Effective screw length (S)



Setting bolts (Hexagon bolts)



704G Piping Bolts and Nuts Sizes

* Dimensions on the table show when the piping flange hole are tapped. For drilled holes, please consult us.

Nominal size		JIS 5K	JIS 10K	ANSI 125Lb	ANSI 150Lb	DIN NP10 BS 4504 PN10
mm	inch					
50	2	8-M12×30×28	8-M16×35×33	8-U 5/8×35×30	8-5/8-11UNC×38	8-M16×35×33
65	2 1/2	8-M12×35×33	8-M16×35×33	8-U 5/8×40×30	8-5/8-11UNC×40	8-M16×35×33
80	3	8-M16×35×33	16-M16×35×33	8-U 5/8×40×38	8-5/8-11UNC×45	16-M16×40×38
100	4	16-M16×40×38	16-M16×40×38	16-U 5/8×45×38	16-5/8-11UNC×45	16-M16×40×38
125	5	16-M16×40×38	16-M20×45×41	16-U 3/4×50×44	16-3/4-10UNC×50	16-M16×40×38
150	6	16-M16×40×38	16-M20×45×41	16-U 3/4×50×44	16-3/4-10UNC×50	16-M20×45×41
200	8	16-M20×45×41	24-M20×50×46	16-U 3/4×55×44	16-3/4-10UNC×55	16-M20×50×46
250	10	24-M20×50×46	24-M22×50×46	24-U 7/8×60×50	24-7/8- 9UNC×60	24-M20×55×50
300	12	24-M20×55×51	32-M22×55×51	24-U 7/8×60×50	24-7/8- 9UNC×60	24-M20×55×50
350	14	24-M22×60×50	32-M22×60×50	24-U1 ×70×57	24-1- 8UNC×70	32-M20×60×46
400	16	32-M22×60×50	32-M24×70×50	32-U1 ×75×57	32-1- 8UNC×70	32-M24×70×50
450	18	32-M22×60×50	40-M24×70×50	32-U1 · 1/8×85×63	32-1 · 1/8-8UN ×80	40-M24×70×50
500	20	40-M22×60×50	40-M24×70×50	40-U1 · 1/8×85×63	40-1 · 1/8-8UN ×80	40-M24×70×50
600	24	40-M24×70×50	48-M30×75×60	40-U1 · 1/4×95×70	40-1 · 1/4-8UN ×90	40-M27×80×60

Remarks:

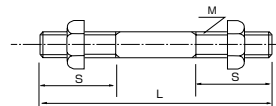
1. The bolt lengths are in accordance with thickness of steel flanges.
2. A unified screw should have 8 threads per inch if its nominal diameter exceeds 1 inch.
3. The list is exclusively for standard material "SS400".

Example

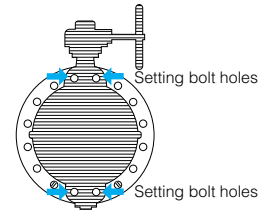
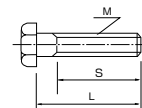
Long bolts: 12 - M22 × 185 × 45
 Quantity Nominal size (M) Length of bolt (L) Effective screw length (S)

Setting bolts: 4 - M30 × 95 × 65
 (Hexagon bolts) Quantity Nominal size (M) Length of bolt (L) Effective screw length (S)

Long bolts and nuts



Setting bolts (Hexagon bolts)



705G Piping Bolts and Nuts Sizes

■ For Hexagon Bolts and Nuts (Flange Bolt Hole: Tapped Holes)

Nominal size		JIS 5K		JIS 10K	
mm	inch	Hexagon Bolts and Nuts	Setting Bolts	Hexagon Bolts and Nuts	Setting Bolts
50	2	—	8-M12× 30×28	—	8-M16× 35×32
65	2 1/2	—	8-M12× 35×33	—	8-M16× 35×32
80	3	—	8-M16× 35×33	4-M16×110×40	8-M16× 35×32
100	4	4-M16×110×40	8-M16× 40×38	4-M16×110×40	8-M16× 40×38
125	5	4-M16×110×40	8-M16× 40×38	4-M20×120×50	8-M20× 45×41
150	6	4-M16×120×40	8-M16× 40×38	4-M20×130×50	8-M20× 45×41
200	8	4-M20×130×50	8-M20× 45×41	8-M20×135×50	8-M20× 50×46
250	10	8-M20×135×50	8-M20× 50×46	8-M22×150×60	8-M22× 55×50
300	12	8-M20×150×50	8-M20× 55×51	12-M22×160×60	8-M22× 60×55
350	14	8-M22×160×60	8-M22× 60×50	12-M22×160×40	8-M22× 60×50
400	16	12-M22×175×45	8-M22× 60×50	12-M24×190×45	8-M24× 70×50
450	18	12-M22×185×45	8-M22× 60×50	16-M24×205×45	8-M24× 70×50
500	20	16-M22×205×45	8-M22× 60×50	16-M24×215×45	8-M24× 70×50
600	24	16-M24×230×50	8-M24× 70×54	20-M30×255×50	8-M30× 70×60

■ For Long Bolts and Nuts (Flange Bolt Hole: Tapped Holes)

Nominal size		JIS5K		JIS10K		ANSI125Lb/150Lb	
mm	inch	Long Bolts and Nuts	Setting Bolts	Long Bolts and Nuts	Setting Bolts	Long Bolts and Nuts	Setting Bolts
50	2	—	8-M12× 30×28	—	8-M16× 35×33	—	8-U5/8-11UNC×35×30
65	2 1/2	—	8-M12× 35×33	—	8-M16× 35×33	—	8-U5/8-11UNC×40×30 (8-U5/8-11UNC×35×30)
80	3	—	8-M16× 35×33	4-M16×125×30	8-M16× 35×33	—	8-U5/8-11UNC×45×38 (8-U5/8-11UNC×40×30)
100	4	4-M16×130×30	8-M16× 40×38	4-M16×130×30	8-M16× 40×38	4-U5/8-11UNC×165×50	8-U5/8-11UNC×45×38
125	5	4-M16×130×30	8-M16× 40×38	4-M20×150×40	8-M20× 45×41	4-U3/4-10UNC×175×55	8-U3/4-10UNC×50×44
150	6	4-M16×140×35	8-M16× 40×38	4-M20×155×40	8-M20× 45×41	4-U3/4-10UNC×175×55	8-U3/4-10UNC×50×44
200	8	4-M20×155×40	8-M20× 45×41	8-M20×155×40	8-M20× 50×46	4-U3/4-10UNC×175×55	8-U3/4-10UNC×55×44
250	10	8-M20×165×40	8-M20× 50×46	8-M22×175×45	8-M22× 55×50	8-U7/8- 9UNC×215×55	8-U7/8- 9UNC×60×50
300	12	8-M20×175×40	8-M20× 55×51	12-M22×185×45	8-M22× 60×55	8-U7/8- 9UNC×215×55	8-U7/8- 9UNC×60×50
350	14	8-M22×185×45	8-M22× 60×50	12-M22×185×45	8-M22× 60×50	8-U1 - 8UNC×225	8-U1 - 8UNC×70×57
400	16	12-M22×205×45	8-M22× 60×50	12-M24×220×50	8-M24× 70×50	12-U1 - 8UNC×255	8-U1 - 8UNC×75×57
450	18	12-M22×225×45	8-M22× 60×50	16-M24×230×50	8-M24× 70×50	12-U1 1/8- 8UN×280	8-U1 1/8-8UN×85×63
500	20	16-M22×230×45	8-M22× 60×50	16-M24×245×50	8-M24× 70×50	16-U1 1/8- 8UN×295	8-U1 1/8-8UN×85×63
600	24	16-M24×275×50	8-M24× 70×54	20-M30×290×60	8-M30× 70×60	16-U1 1/4- 8UN×340	8-U1 1/4-8UN×95×70

Remarks:

Bolt/Nut material: SS400/SS400, SUS304/SUS304

The dimensions in parenthesis show ANSI125Lb. (for 65 mm and 80 mm)

Heavy nut shall be used for ANSI125Lb/150Lb hexagon nuts.

A unified screw should have 8 threads per inch if its nominal diameter exceeds 1 inch.

Example

Long bolts: 12 - M22 × 185 × 45
 Quantity Nominal size (M) Length of bolt (L) Effective screw length (S)

Setting bolts: 4 - M30 × 95 × 65
 (Hexagon bolts) Quantity Nominal size (M) Length of bolt (L) Effective screw length (S)

